

Fastenings



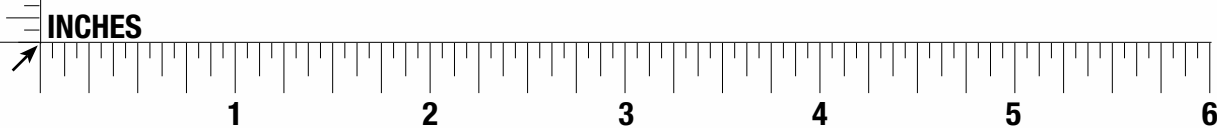
SWIVEL AND RIGID PLATE FASTENING MEASUREMENT GUIDE

On the next seven pages the Shepherd top plate illustrations are available at actual size for your identification convenience. For other plate sizes first lay the corner of the plate at the arrow. This will give you overall plate size. Then lay the center of one of the bolt holes in the same position, this will help you figure the bolt hole spacing. Finally refer to chart below to determine the fastening number.

Stem fastenings are on pages 66-67.

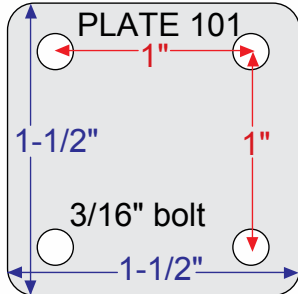
For a complete list of fastenings see page 65.

Fastening Number	Plate Size	Bolt Hole Spacing	Caster Series	Diagram Page
101	1-1/2" x 1-1/2"	1" x 1"	Ball, Softech, Ultima, Pacer, Source II, Genesis TW	60
108	1-3/4" x 2-5/8"	31/32" x 2-1/8"	Regent, Monarch	60
112	1-7/8" x 2-9/16"	15/16" x 2-1/8"	General Duty	60
113	1-3/16" x 2"	13/16" x 1-9/16"	Regent, Monarch, Baron, Ball, Pacer Source II	60
115	2-3/4" x 3-7/8"	1-3/4" x 3"	General Duty	60
116	2-3/16" x 2-9/16"	1-5/8" x 2"	Softech, Ultima	60
119	3-1/8" x 4-1/8"	2-3/8" x 3-3/8" to 3-7/16"	General Duty	61
120	2-5/8" x 3-3/4"	1-3/4" x 2-3/4" to 3"	Regent, Institutional, 00, Genesis, Softech, Ultima	61
121	4" x 5-1/8"	3" x 4"	General Duty	61
122	1-1/2" x 2-11/16"	15/16" x 2-1/8"	General Duty	61
123	2-1/8" x 4-3/8"	1-1/16" x 3-1/2"	General Duty	62
124	2-5/16" x 4-7/8"	1-3/16" x 4"	General Duty	62
125	3-1/16" x 6-1/8"	1-3/4" x 5"	General Duty	62
134	1-1/4" x 2-3/8"	13/16" x 1-7/8"	Omega	63
138	2-1/2" x 3-5/8"	1-3/4" x 2-3/4" to 2-7/8"	BLS/BMS	63
140	1-3/4" x 3"	1" x 2-1/4"	RS/RT, Ball	63
142	2-1/2" x 3-5/8"	1-3/4" x 2-3/4"-3"	BDS/BDR	63
149	3-3/4" x 4-1/2"	2-5/8" to 3" x 3" to 3-5/8"	Institutional	63
152	3-1/8" x 4-1/8"	2-3/8" x 3-3/8"	BLS/BMS	64
162	3-1/8" x 4-1/8"	1-3/4" to 2-3/8" x 3" to 3-3/8"	Institutional	64
195	3-1/2" x 3-1/2"	2-5/8" to 2-3/4"	Institutional	64

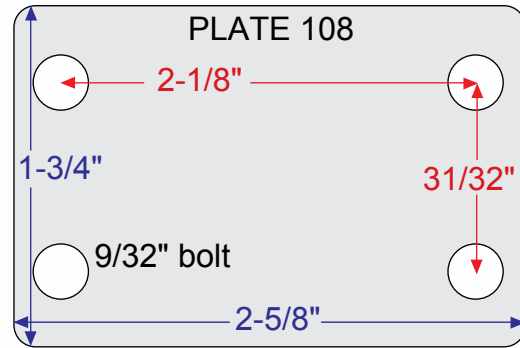


Fastenings

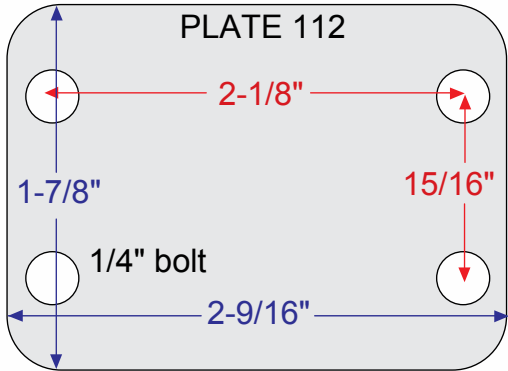
Actual sizes of the more popular top plates.



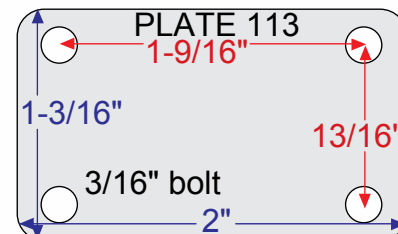
Ball, Softech, Ultima, Pacer, Source II, Genesis TW



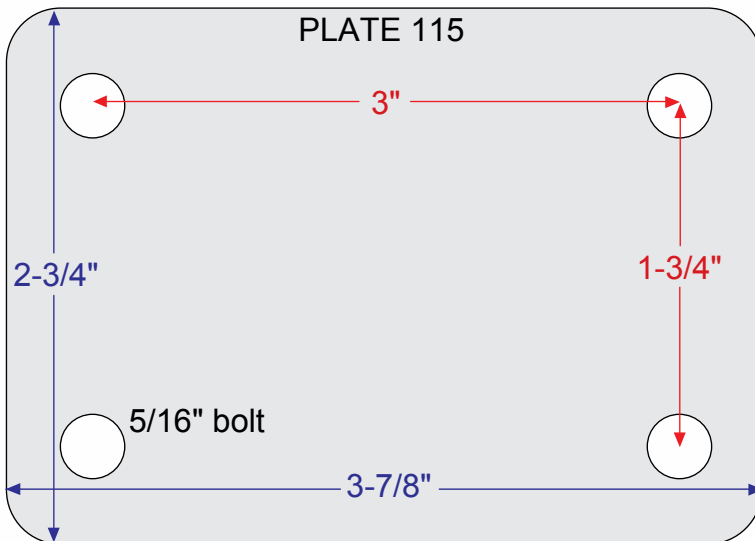
Regent, Monarch



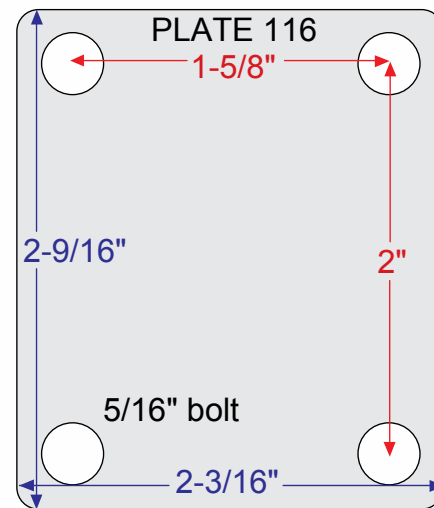
General Duty



Regent, Monarch, Baron, Ball, Pacer Source II

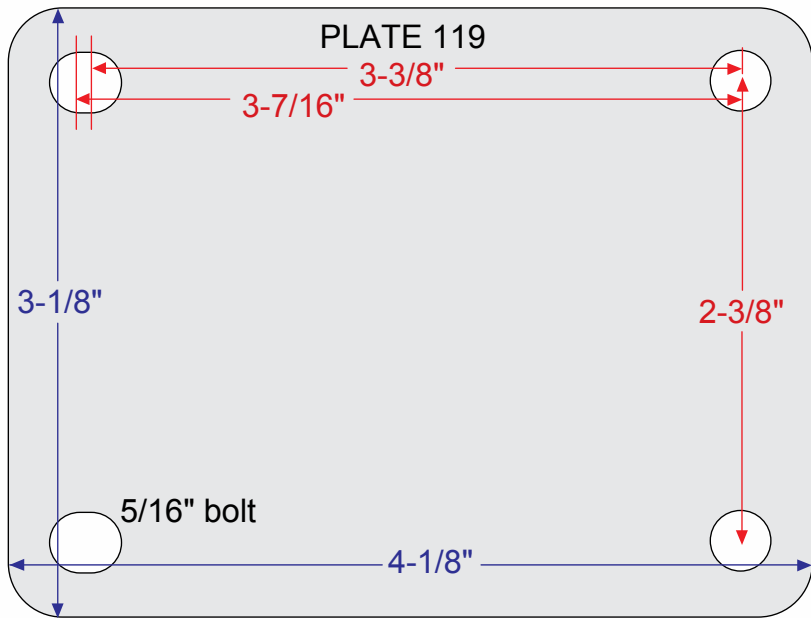


General Duty

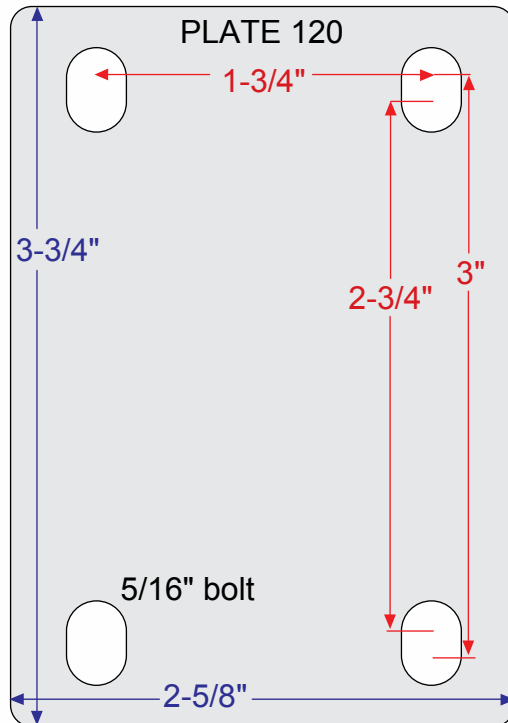


Softech, Ultima

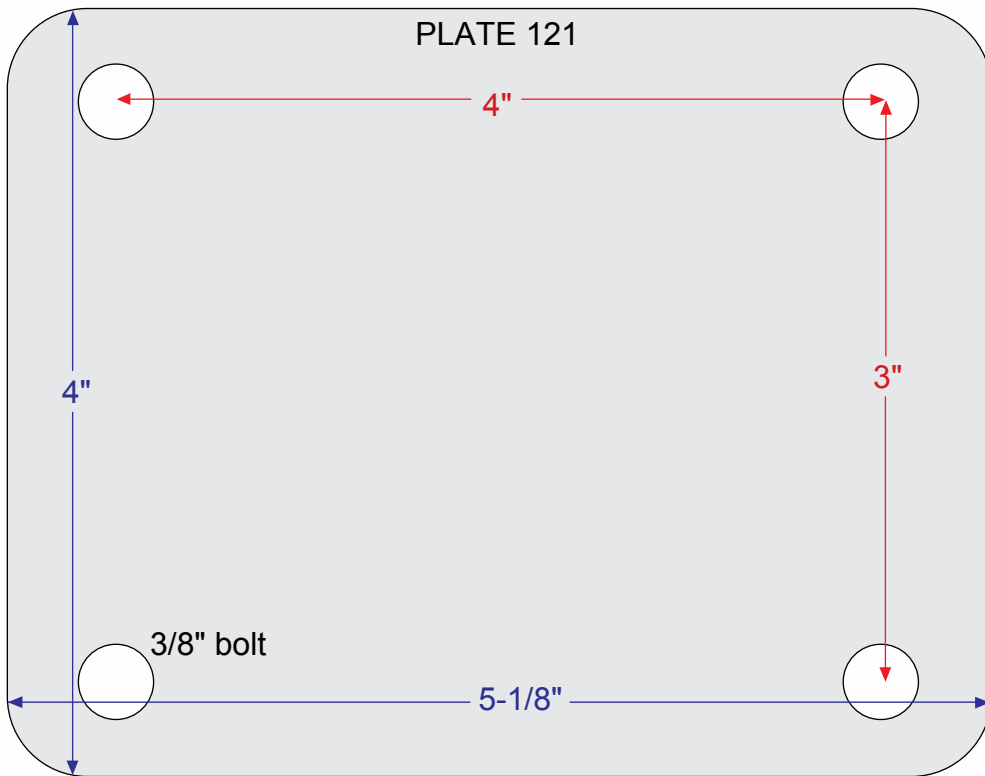
Fastenings



General Duty



Regent, Institutional, 00, Genesis, Softech, Ultima

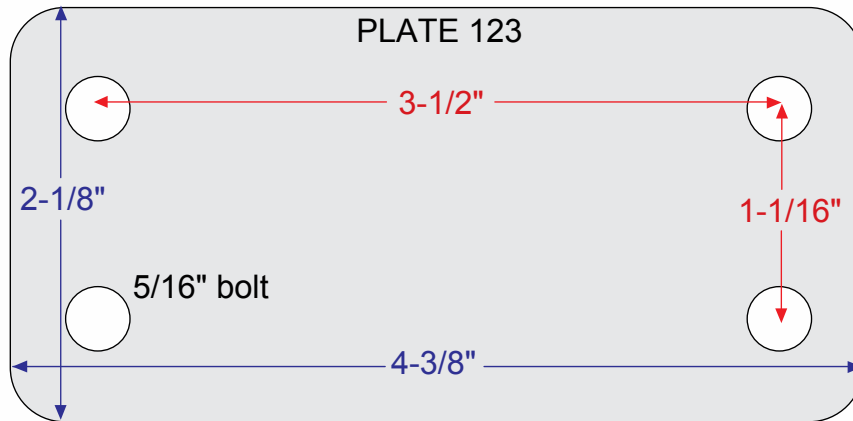


General Duty

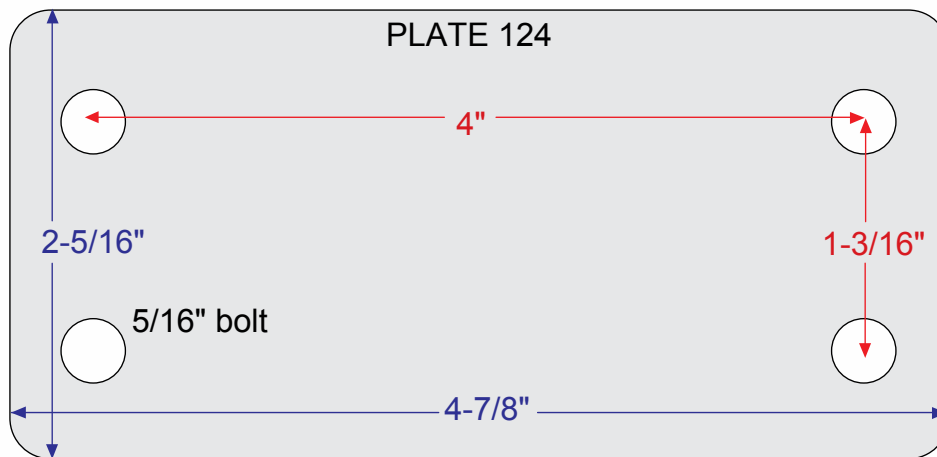


General Duty

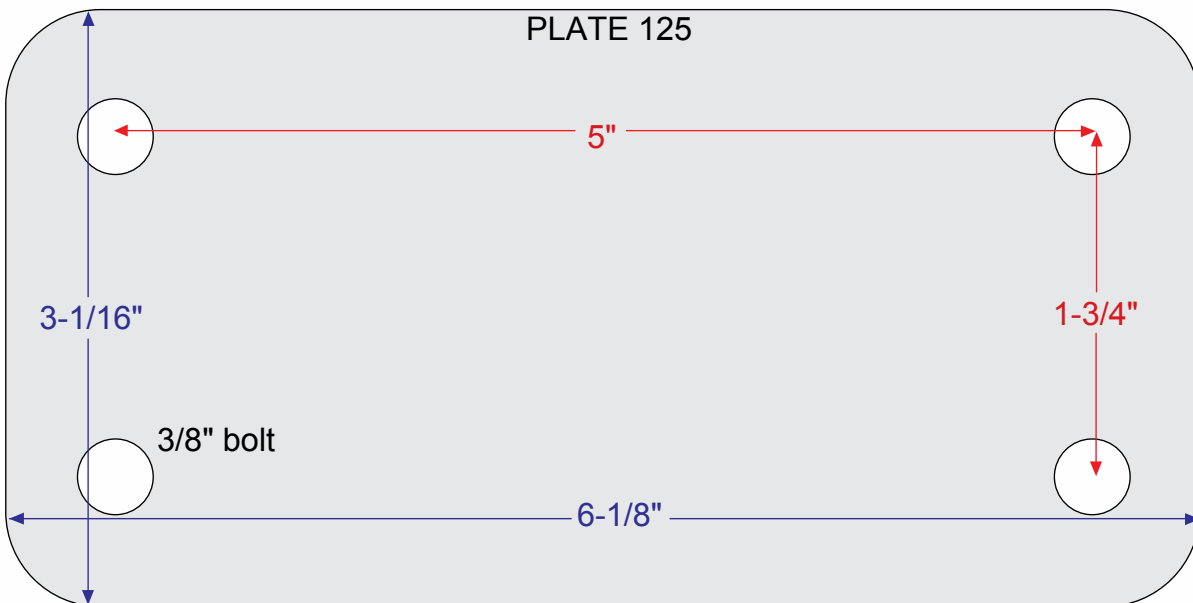
Fastenings



General Duty

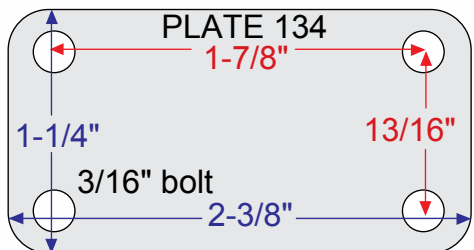


General Duty

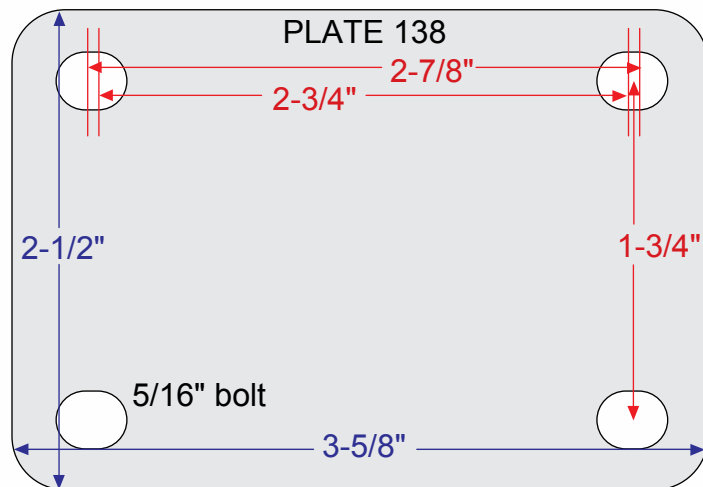


General Duty

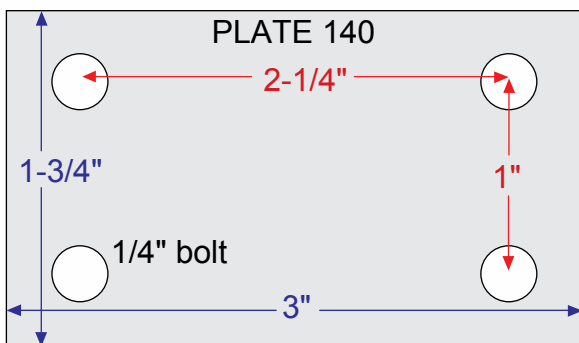
Fastenings



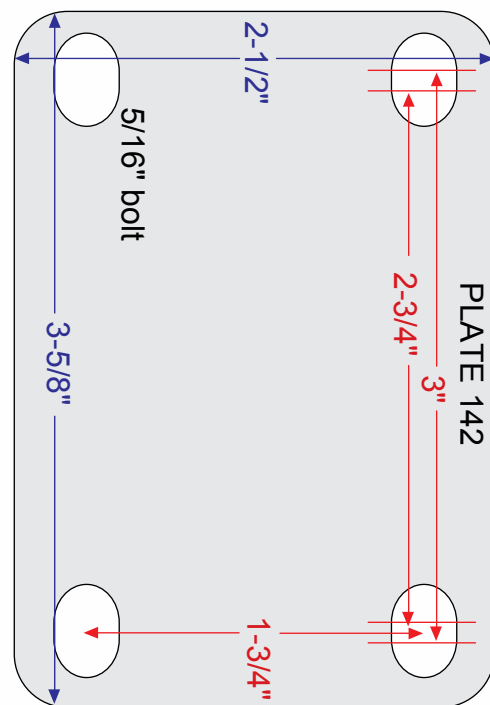
Omega



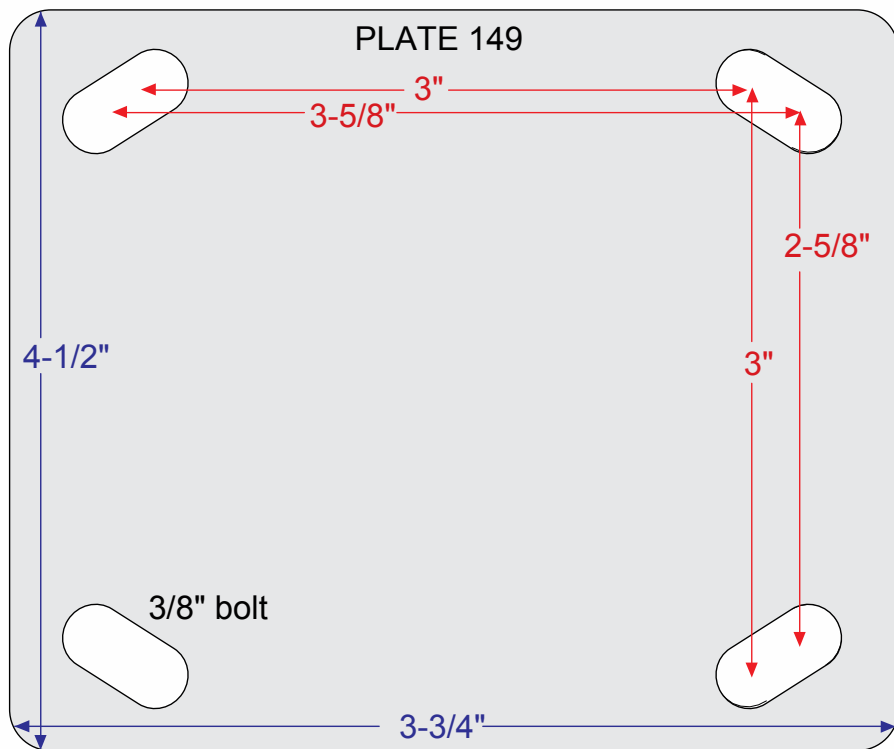
BLS/BMS



RS/RT

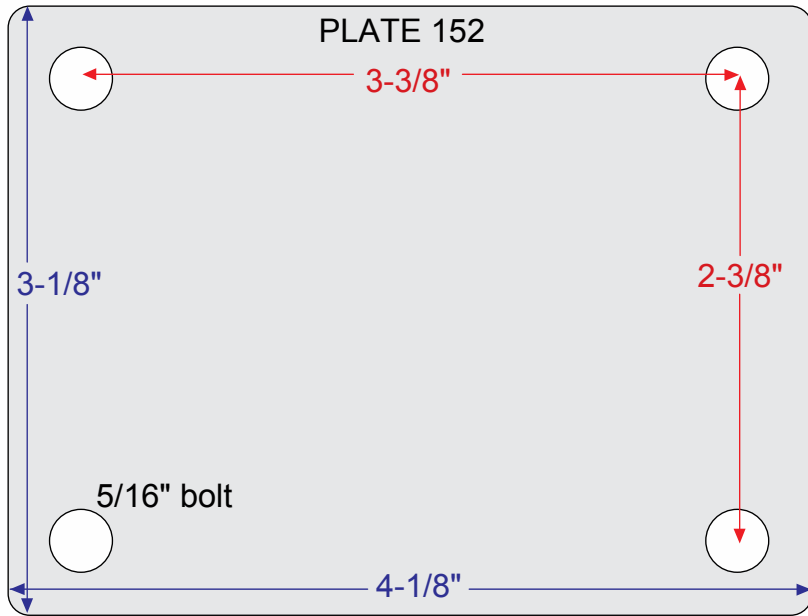


BDS/BDR

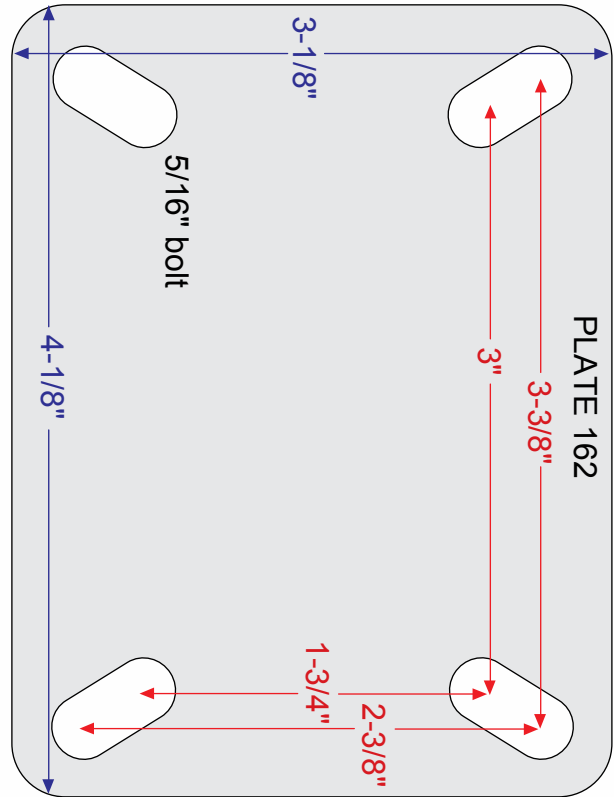


Institutional

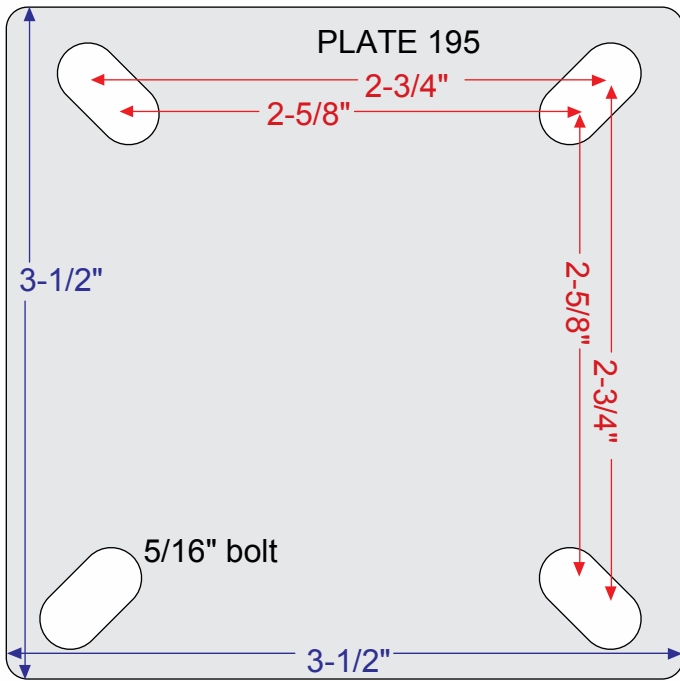
Fastenings



BLS/BMS



Institutional

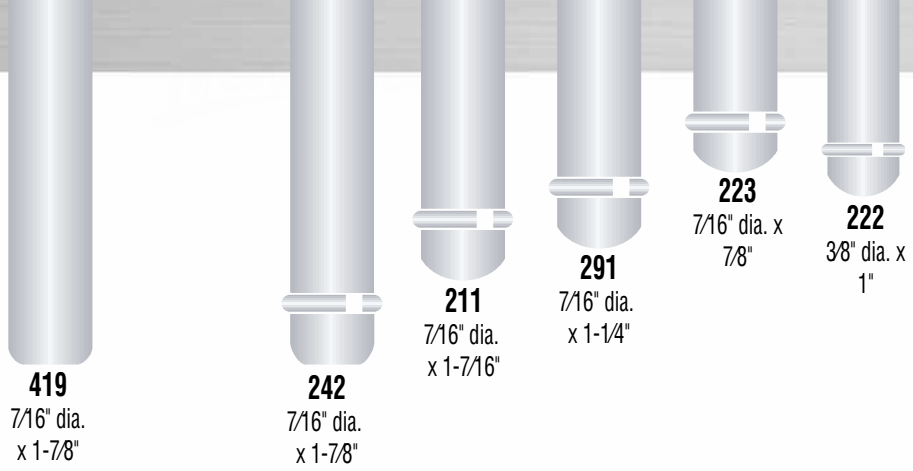


Institutional

Shepherd Fastenings

Fastening #	Type	Size	Bolt Hole	Page Numbers->																		
				Regent	Monarch	Institutional Series	General Duty	Low Profile 00	Low Profile BLS/BMS	BDS/BDR	Omega	RS/RT	Eclipse	Genesis	Ball	Baron	Softach	Ultima	Pacer	Source II	Genesis TW	GRX
				6-8	9	10-12	13	14	14	16	17	18	19	21	24-25	26	28-29	30-31	32	33	35	37
500	Threaded	5/16"-18 x 1-1/2"		✓																		
507	Threaded	5/16"-18 x 1"		✓	✓						✓	✓	✓	✓	✓	✓	✓	✓	✓	✓	✓	
512	Threaded	5/16"-18 x 2"																				
525	Threaded	5/16"-18 x 1/2"													✓					✓		
526	Threaded	5/16"-18 x 1-1/4"													✓					✓		
532	Threaded	5/16"-18 x 3/4"		✓												✓						
545	Threaded	5/16"-18 x 7/8"																				
605	Threaded	3/8"-16 x 1-1/2"		✓	✓			✓			✓	✓		✓	✓	✓				✓		
634	Threaded	3/8"-16 x 1"		✓											✓	✓	✓	✓	✓		✓	
637	Threaded	3/8"-16 x 3/4"		✓							✓	✓	✓	✓	✓	✓	✓	✓	✓	✓	✓	✓
639	Threaded	3/8"-24 x 5/8"													✓				✓			
705	Theaded	1/2"-13 x 2-13/16"		✓		✓																
741	Threaded	1/2"-13 x 1"		✓		✓		✓		✓				✓			✓	✓				✓
748	Threaded	1/2"-13 x 1-1/2"		✓		✓		✓		✓	✓	✓		✓			✓	✓				
800	Threaded	7/16"-14 x 1-1/2"		✓																		
806	Threaded	7/16"-14 x 2-1/4"		✓																		
824	Threaded	5/8"-11 x 1-3/4"								✓												
825	Threaded	3/4"-10 x 1-1/2"								✓												
828	Threaded	1/4"-20 x 5/8"													✓				✓			
844	Threaded	1/4"-20 x 1/2"																				
419	Plain	7/16" x 1-7/8"									✓	✓										
211	Grip Ring	7/16" x 1-7/16"		✓	✓			✓			✓	✓	✓	✓	✓	✓	✓	✓	✓	✓	✓	✓
222	Grip Ring	3/8" x 1"		✓							✓	✓			✓	✓			✓	✓	✓	✓
223	Grip Ring	7/16" x 7/8"		✓	✓						✓	✓	✓	✓	✓	✓	✓	✓	✓	✓	✓	✓
242	Grip Ring	7/16" x 1-7/8"									✓	✓										
291	Grip Ring	7/16" x 1-1/4"				✓								✓								
302	Grip Neck	5/16" x 1-1/2"		✓	✓						✓	✓			✓	✓	✓	✓	✓	✓	✓	✓
204	Grip Band	7/16" x 2"		✓																		
273	Grip Band	7/16" x 1-3/8"		✓		✓		✓									✓					✓
1R	Plate	1-1/16" Dia.	25/32" and 5/32" hole												✓							
101	Plate	1-1/2" x 1-1/2"	1" x 1"												✓			✓	✓	✓	✓	✓
108	Plate	1-3/4" x 2-5/8"	31/32" x 2-1/8"	✓	✓																	
112	Plate	1-7/8" x 2-9/16"	15/16" x 2-1/8"					✓														
113	Plate	1-3/16" x 2"	13/16" x 1-9/16"	✓	✓										✓	✓				✓	✓	
115	Plate	2-3/4" x 3-7/8"	1-3/4" x 3"					✓														
116	Plate	2-3/16" x 2-9/16"	1-5/8" x 2"														✓	✓				
119	Plate	3-1/8" x 4-1/8"	2-3/8" x 3-3/8" to 3-7/16"					✓														
120	Plate	2-5/8" x 3-3/4"	1-3/4" x 2-3/4" to 3"	✓		✓		✓						✓								
121	Plate	4" x 5-1/8"	3" x 4"														✓	✓				
122	Plate	1-1/2" x 2-11/16"	15/16" x 2-1/8"																			
123	Plate	2-1/8" x 4-3/8"	1-1/16" x 3-1/2"																			
124	Plate	2-5/16" x 4-7/8"	1-3/16" x 4"																			
125	Plate	3-1/16" x 6-1/8"	1-3/4" x 5"																			
134	Plate	1-1/4" x 2-3/8"	13/16" x 1-7/8"								✓											
138	Plate	2-1/2" x 3-5/8"	1-3/4" x 2-3/4" to 2-7/8"							✓												
140	Plate	1-3/4" x 3"	1" x 2-1/4"																			
142	Plate	2-1/2" x 3-5/8"	1-3/4" x 2-3/4"-3"								✓											
149	Plate	3-3/4" x 4-1/2"	2-5/8" to 3" x 3" to 3-5/8"					✓														
152	Plate	3-1/8" x 4-1/8"	2-3/8" x 3-3/8"							✓												
153	Plate	2-1/2" x 4-1/8"	1-15/16" x 3-3/8"																			
162	Plate	3-1/8" x 4-1/8"	1-3/4" to 2-3/8" x 3" to 3-3/8"					✓														
195	Plate	3-1/2" x 3-1/2"	2-5/8" to 2-3/4"					✓														
400	Hollow Kingpin	For 1/2" diameter bolts						✓														
403	Hollow Kingpin	For 3/8" diameter bolts									✓											
406	Hollow Kingpin	For 3/8" diameter bolts										✓										
440-455	Expanding Adapters			✓		✓																

Fastenings



STEM FASTENING IDENTIFICATION GUIDE

Match fastening to corresponding illustration. Replacement grip ring stems can be slightly shorter than original stem and still be suitable. A rounded or squared stem head has no effect on fit. **All fastenings shown are actual size.**

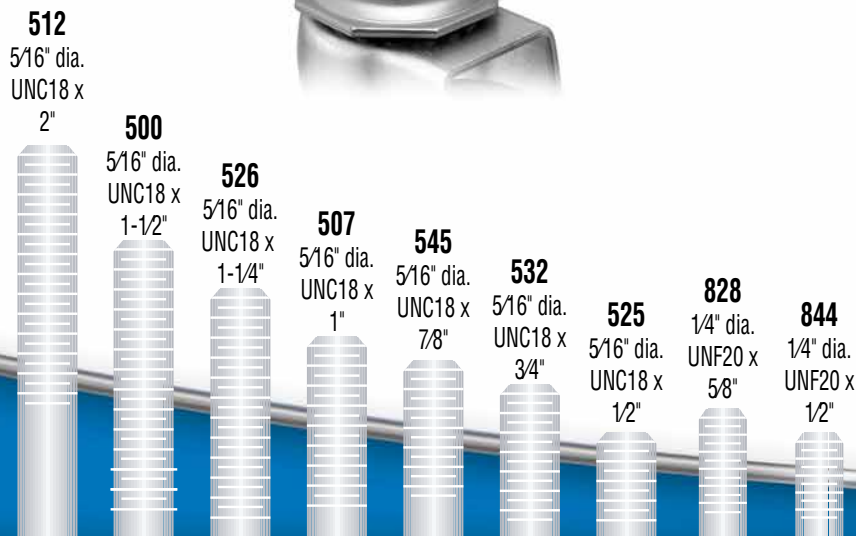
Plain Stem



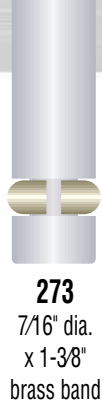
Grip Ring Stem



Threaded Stem



Fastenings



273
7/16" dia.
x 1-3/8"
brass band



204
7/16" dia. x 2"
brass band



302
5/16" dia.
x 1-1/2"

Grip Ring Brass Band Stem



Grip Neck Stem



Threaded Stem Continued



639
3/8" dia.
UNF24 x
5/8"

637
3/8" dia.
UNC16 x
3/4"

634
3/8" dia.
UNC16 x
1"

605
3/8" dia.
UNC16 x
1-1/2"

800
7/16" dia.
UNC14 x
1-1/2"

806
7/16" dia.
UNC14 x
2-1/4"

741
1/2" dia.
UNC13 x
1"

705
1/2" dia.
UNC13 x
2-13/16"

748
1/2" dia.
UNC13 x
1-1/2"

824
5/8" dia.
UNC11 x
1-3/4"

825
3/4" dia.
UNC10 x
1-1/2"