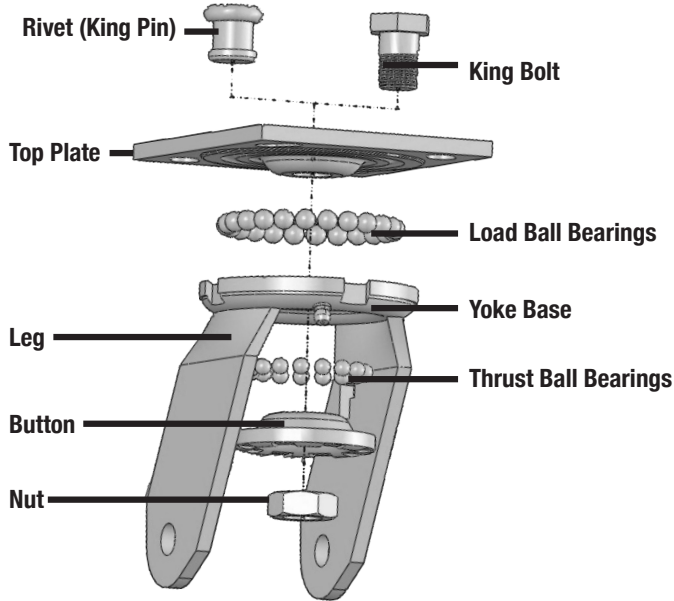


CASTER COMPONENTS

KINGPIN RIG

CONVENTIONAL CONSTRUCTION

• UP TO 2,000 LB. CAPACITY

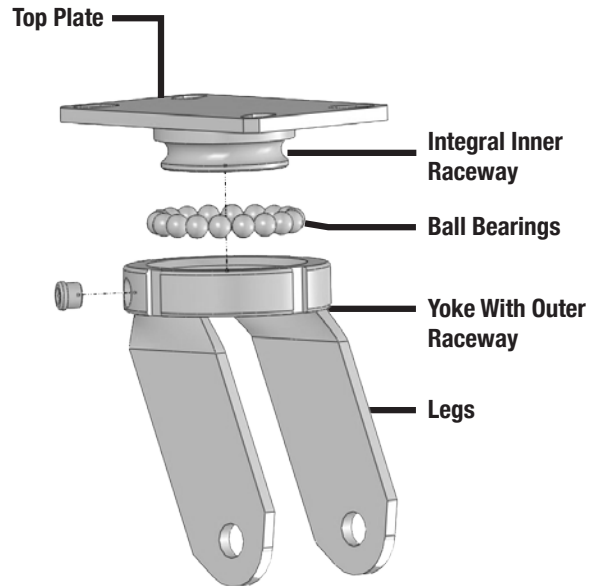


KINGPINLESS RIG



BETTER ERGONOMICS, BEST FOR SHOCK AND IMPACT

• UP TO 20,000 LBS. CAPACITY

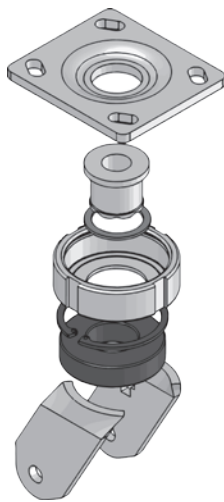


MAINTENANCE FREE SWIVEL SECTION

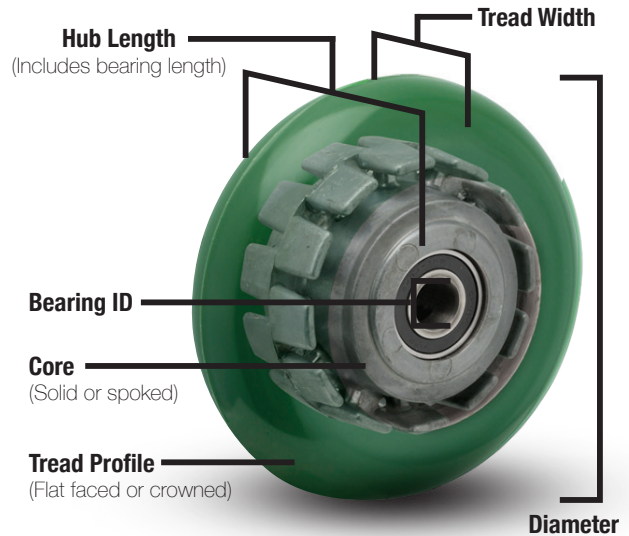


SEALED PRECISION SWIVEL BEARING PROVIDES EXCELLENT ERGONOMICS WITH NO MAINTENANCE

• UP TO 2,000 LBS. CAPACITY



WHEEL



ALBION[®]
the caster experts

Need help determining the right solution for your application?

Let us help! Connect with us online at www.albioncasters.com or call us at 800-835-8911.