



1 Series

EXPANDING ADAPTER STEM

Capacity up to **145 lbs each**

Features

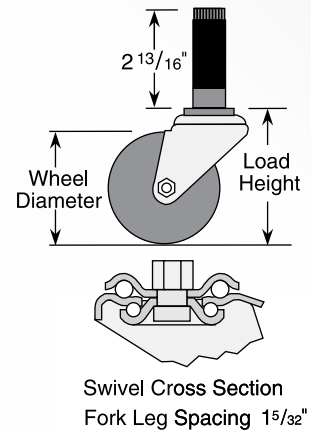
- Zinc plated finish is attractive and durable
- Full double ball hardened raceways for better performance and greater durability
- 5/16" shouldered axle with 1/4" nut
- "Colson 45" multi-temp grease lubricates in extreme hot and cold temperatures

Standard Mounting

- Turning of octagon on upper raceway expands rubber adapter inside of round or square tubing for a tight, permanent fit
- To order, select caster model number and specify stem adapter size by code number from mounting options chart at bottom right



Standard Dimensions



Colson 1 Series Casters • Expanding Adapter Stem • Capacity to 145 lbs each

Wheel Dia.	Tread Width	Capacity Each (Pounds)	Wheel Descriptions	Wheel Bearing	Stem Caster Models*	Load Height	Swivel Radius	Weight (Pounds)
3"	7/8"	100	Polyurethane HI-TECH	Delrin	1.03367.91	3 7/8"	2 13/16"	11/4
		125	Perfoma Rubber	Delrin	1.03367.441	3 7/8"	2 13/16"	11/4
			Polyolefin	Delrin	1.03367.53	3 7/8"	2 13/16"	11/4
4"	7/8"	125	Polyurethane HI-TECH	Delrin	1.04367.91	4 7/8"	3 7/16"	1 1/2
		135	Perfoma Rubber	Delrin	1.04367.441	4 7/8"	3 7/16"	1 1/2
			Polyolefin	Delrin	1.04367.53	4 7/8"	3 7/16"	1 1/2
5"	7/8"	140	Polyurethane HI-TECH	Delrin	1.05367.91	5 7/8"	4 1/16"	1 3/4
		145	Perfoma Rubber	Delrin	1.05367.441	5 7/8"	4 1/16"	1 3/4
			Polyolefin	Delrin	1.05367.53	5 7/8"	4 1/16"	1 3/4

*To order you must include mounting code in the Mounting Options chart below (Example: 1.03367.91 MTG40).

Note: Expanding adapter temperature rating is 180°F.

Caster Brake



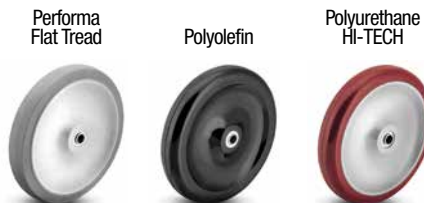
Side Lock (See page 96)
Available on all models. Field installable (Specify **BRK3**; Example: 1.03367.91 BRK3).

Fork Options

NSF Listed for Food Service Industry
All models except thread guards.

Forks Only
To order caster forks only use 1st 6 digits of model numbers (Example: 1.03367).

Wheel Selection



See the Perfoma Advantage on Page 67.

Wheel Option

Thread Guards

(See page 108) Available on all 3" models. Brake & NSF options cannot be used with thread guards (Specify **TG1** for metal; Example: 1.03367.91 TG1).

Mounting Options

(See page 107)

Inside Diameter of Tube	Mounting Code Numbers	
	Round Tubing	Square Tubing
3/4" - 13/16"	MTG40	-
7/8" - 15/16"	MTG41	MTG51
1" - 1 1/16"	MTG42	MTG52
1 1/8" - 1 3/16"	MTG43	MTG53
1 1/4" - 1 5/16"	MTG44	MTG54
1 3/8" - 1 7/16"	MTG45	MTG55
1 1/2" - 1 9/16"	MTG46	-
1 5/8" - 1 11/16"	MTG47	-

Stems are 2 11/16" long. Stem size less adapter: 1/2" - 13UNC x 2 13/16"

To order add the mounting code to Stem Caster Models number (Example: 1.03367.91 MTG40).