

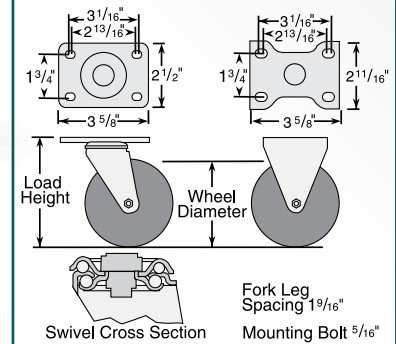
2 Series

Capacity up to **325 lbs each**

TOP PLATE Swivel & Rigid



Standard Dimensions



Features

- Zinc plated finish is attractive and durable
- Full double ball hardened raceways for better performance and greater durability
- 3/8" hollow axle with lock nut
- Grease holes on wheel bearing for greater convenience
- "Colson 45" multi-temp grease lubricates in extreme hot and cold temperatures

Caster Brake



Top Lock
(See page 96) Available on all swivel models with solid axle only. Field installable (Specify **BRK1**; Example: 2.05256.91 BRK1).



Total Lock
(See page 96) Locks wheel and swivel simultaneously. Fits 3 1/2", 4" and 5" swivel models. Field installable (Specify **BRK5**; Example: 2.05256.53 BRK5).



Directional Lock
(See page 97) Available with standard top plate only. For optional top plates, consult factory. To order with caster, change 4th digit to "1" (Example: 2.05156.91).

Note: No Dust Cap Available.

Fork Option

NSF Listed For Food Service Industry
All models except thread guards and cast iron wheels (Specify **FSI**; Example: 2.05256.441 FSI).

Swivel Dust Cap
(See page 101) (Specify **DC1**; Example: 2.05256.441 DC1).

Forks Only
To order caster forks only use 1st 6 digits of model numbers (Example: 2.05256).

Axle/Nut Options
Consult factory.

Wheel Selection

Perma Flat Tread Perma Round Tread Perma Conductive Flat



See the Perma Advantage on Page 67.

Perma Conductive Round Polyolefin Thermo



ThermoTech Polyurethane HI-TECH Cast Iron



Rubber HI-TECH Phenolic

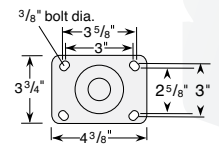


Wheel Option

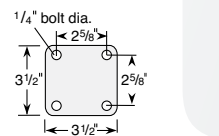
Thread Guards
(See page 108) Available on many models. Specify **TG1** for metal or **TG2** for plastic; Example: 2.05256.441 TG2.

Optional Top Plates

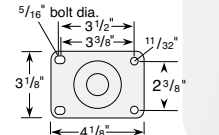
27 Top Plate (Swivel)
(Specify **MTG27**)



35 Top Plate (Swivel)
(Specify **MTG35**)



59 Top Plate (Swivel)
(Specify **MTG59**).



To order optional top plate, add mounting code to Swivel Top Plate Caster Models number (Example: 2.02256.445 MTG27).