

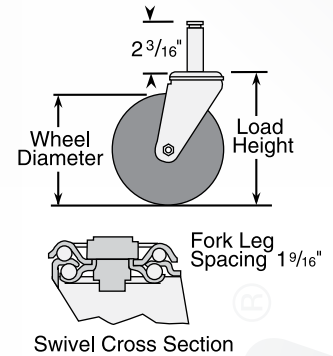
# 2 Series

Capacity up to **325 lbs each**

GRIP RING STEM



## Standard Dimensions



## Features

- Zinc plated finish is attractive and durable
- Full double ball hardened raceways for better performance and greater durability
- 3/8" hollow axle with lock nut
- Grease holes on wheel bearing for greater convenience
- "Colson 45" multi-temp grease lubricates in extreme hot and cold temperatures

## Standard Mounting

- **Stem Size:** 2 3/16" long with 5/8" diameter
- Stem features spring grip at top to hold caster securely in tubing
- Assures tight fit and easy swivel action

## Caster Brake



**Top Lock**  
(See page 96) Available on all swivel models with solid axle only. Field installable (Specify **BRK1**; Example: 2.05251.91 BRK1).



**Total Lock**  
(See page 96) Locks wheel and swivel simultaneously. Fits 3 1/2", 4" and 5" swivel models. Field installable.

**Note:** When mounted in tubing, brake will function as wheel brake only. (Specify **BRK5**; Example: 2.05251.445 COND BRK5).

## Fork Option

**NSF Listed For Food Service Industry**  
All models except thread guards and cast iron wheels (Specify **FSI**; Example: 2.05251.441 FSI).

**Swivel Dust Cap**  
(See page 101) (Specify **DC1**; Example: 2.05251.441 DC1).

**Forks Only**  
To order caster forks only use 1st 6 digits of model numbers (Example: 2.02251).

**Axle/Nut Options**  
Consult factory.

## Wheel Selection

Perma Flat Tread



Perma Round Tread



Perma Conductive Flat



Perma Conductive Round



See the Perma Advantage on Page 67.

Polyolefin



Thermo



ThermoTech



Polyurethane HI-TECH



Cast Iron



Rubber HI-TECH



Phenolic



## Wheel Option

**Thread Guards**  
(See page 108) Available on many models. Specify **TG1** for metal or **TG2** for plastic; Example: 2.05251.441 TG2.

## Mounting Options

**Standard Mounting (no code necessary):**  
2 3/16" long with 5/8" dia.

**MTG2:** 1 1/2" long x 7/16" dia. (.437)

**MTG5:** 2 3/16" long x 3/4" dia. (.75)

**MTG6:** 2 3/16" long x 13/16" dia. (.812)

**MTG7:** 2 3/16" long x 27/32" dia. (.845)

**MTG8:** 2 3/16" long x 7/8" dia. (.865)

**MTG9:** 2 3/16" long x 1" dia. (1.00)

To order optional mounting, add mounting code to Stem Caster Models number (Example: 2.02251.441 MTG2).

**3D CAD Models & Data Sheets**  
www.colsoncaster.com/casters