

# 4 Series

Capacity up to **800 lbs each**  
Narrow 1 1/2" tread width

**TOP PLATE** Swivel & Rigid



## Features

- Attractive zinc plated finish
- Full double ball hardened raceways
- 1/2" hollow axle with grease zerk and lock nut
- Plastic seal/retainer washer (roller bearing models)
- 1/4" steel top plate for durability
- Permanent rivet kingpin with 5/8" diameter rivet
- Grease fittings: wheel bearing and swivel raceway
- "Colson 45" multi-temp grease lubricates in extreme hot and cold temperatures

## Caster Brake

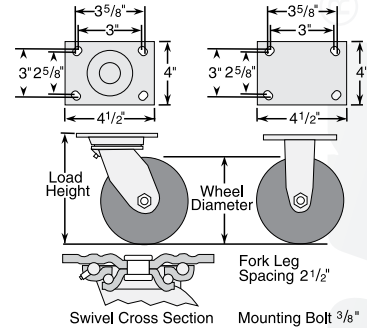


**Tread Lock**  
(See page 99) Available on all swivel casters except 3" diameter models (Specify **BRK1**; Example: 4.06109.819 BRK1).



**Tech Lock®**  
(See page 98) Available on all swivel casters except 3" diameter and swivel lock models. Rigid 6" model available (Specify **BRK2**; Example: 4.06109.449 BRK2).

## Standard Dimensions



## Fork / Wheel Options

**NSF Listed For Food Service Industry**  
All models except swivel lock, thread guards, forged steel and cast iron core wheels.

**Forks Only**  
To order caster forks only use 1st 6 digits of model numbers (Example: 4.04109).



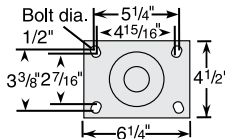
**Total Lock**  
(See page 99) Available on 4", 5", 6" & 8" swivel models (Specify **BRK4**; Example: 4.06109.119 BRK4).



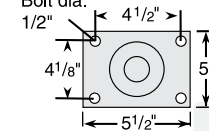
**Top Lock**  
(See page 98) Available on 4", 5", 6" and 8" swivel models (Specify **BRK7**; Example: 4.06109.449 BRK7).

## Optional Top Plates

**#2 Top Plate (Specify MTG2).**



**#4 Top Plate (Specify MTG4).**



To order optional top plate, add mounting code to Caster Models number (Example: 4.03109.449 MTG2).

## Wheel Selection



See the Performa Advantage on Page 67.

**DirtBan Swivel Seal**  
(See page 101) Not available on swivel lock models (Specify **SEAL**; Example: 4.06109.449 SEAL).

**Thread Guards**  
(See page 108) Available on many models (Specify **TG1** for metal or **TG2** for plastic; Example: 4.06109.449 TG2).

**Axle/Nut Options**  
Consult factory.

**Lube Options**  
Consult factory.