

# 3 Series

SQUARE OR ROUND STEMS

Capacity up to **400 lbs each**



## Features

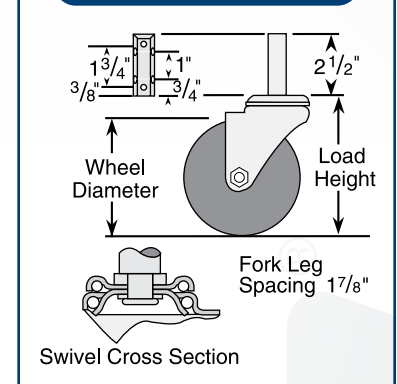
- Zinc plated finish is attractive and durable
- Full double ball hardened raceways for better performance and greater durability
- 3/8" hollow axle with lock nut
- Permanent rivet kingpin construction
- Reinforcing washer on upper & lower raceway
- Grease holes: wheel bearing
- "Colson 45" multi-temp grease lubricates in extreme hot and cold temperatures

## Standard Mounting

- **Square Stem:** Four 17/64" diameter holes are drilled in square stem, two per side. 2 1/2" long x 7/8" square



## Standard Dimensions



## Caster Brake



**Top Lock**  
(See page 97) Available on all swivel models. Field installable (Specify **BRK1**; Example: 3.00514.109 MTG7 BRK1).

## Fork / Wheel Options

### NSF Listed For Food Service Industry

All models except thread guards and cast iron wheels (Specify **FSI**; Example: 3.00514.449 FSI).

(See page 101) (Specify **DC1**; Example: 3.00514.449 DC1).

### Forks Only

To order caster forks only use 1st 6 digits of model numbers (Example: 3.00314).

### Thread Guards

(See page 108) Available on many models (Specify **TG1** for metal; Example: 3.00514.909 TG1).

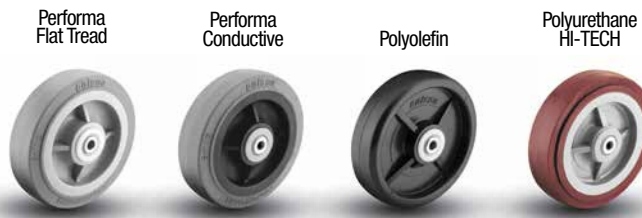
### Axle/Nut Options

Consult factory.

### Lube Options

Consult factory.

## Wheel Selection



See the Performa Advantage on Page 67.



## Mounting Options

### Square Stem

#### Standard Mounting (no code necessary):

Four 17/64" diameter holes are drilled in square stem, two per side. 2 1/2" long x 7/8" square.

### Round Stem

- MTG7:** 2 1/2" long x 3/4" diameter
- MTG9:** 2 1/2" long x 7/8" diameter
- MTG11:** 2 1/2" long x 1" diameter

To order with optional round stem, add mounting code to Square Stem Caster Models number (Example: 3.00314.449 MTG7).

**Colson 3 Series Casters • Round or Square Stem • Capacity to 400 lbs**

| Wheel Dia. | Tread Width    | Capacity Each (Pounds) | Wheel Descriptions                | Square Stem Roller Bearing Models* | Optional Bearings (Order info below chart) | Load Height | Swivel Radius | Weight (Pounds) |
|------------|----------------|------------------------|-----------------------------------|------------------------------------|--|-------------|---------------|-----------------|
| 3"         | 1 1/2"         | 250                    | Performa Rubber (Flat/Grey)       | 3.00314.449                        | Delrin, PPBB                               | 4 5/16"     | 3 1/8"        | 2 1/2           |
|            |                | 300                    | Polyolefin                        | 3.00314.809                        | Delrin, PPBB                               | 4 5/16"     | 3 1/8"        | 2 1/2           |
|            |                |                        | Polyurethane HI-TECH              | 3.00314.909                        | Delrin, PPBB                               | 4 5/16"     | 3 1/8"        | 2 1/2           |
|            |                |                        | Phenolic                          | 3.00314.309                        | Delrin, PPBB                               | 4 5/16"     | 3 1/8"        | 2 1/2           |
|            |                | 400                    | Cast Iron                         | 3.00314.109                        | Delrin, PPBB                               | 4 5/16"     | 3 1/8"        | 3 3/4           |
|            |                |                        | Thermo                            | 3.00314.819 HT                     | Plain, Bronze                              | 4 5/16"     | 3 1/8"        | 2 1/2           |
| 4"         | 1 1/2"         | 255                    | Performa Rubber (Conductive/Flat) | 3.00414.449 COND                   | PPBB                                       | 5 3/16"     | 3 5/8"        | 2 2/3           |
|            |                | 325                    | Performa Rubber (Flat/Grey)       | 3.00414.449                        | Delrin, PPBB                               | 5 3/16"     | 3 5/8"        | 2 2/3           |
|            |                | 375                    | Polyolefin                        | 3.00414.809                        | Delrin, PPBB                               | 5 3/16"     | 3 5/8"        | 2 3/4           |
|            |                | 400                    | Maxim                             | 3.00414.509                        | Delrin, Bronze, PPBB                       | 5 3/16"     | 3 5/8"        | 2 3/4           |
|            |                |                        | Polyurethane HI-TECH              | 3.00414.909                        | Delrin, PPBB                               | 5 3/16"     | 3 5/8"        | 2 3/4           |
|            |                |                        | Phenolic                          | 3.00414.309                        | Delrin, PPBB                               | 5 3/16"     | 3 5/8"        | 2 3/4           |
|            |                |                        | Cast Iron                         | 3.00414.109                        | Delrin, PPBB                               | 5 3/16"     | 3 5/8"        | 4               |
|            |                | Thermo                 | 3.00414.819 HT                    | Plain, Bronze                      | 5 3/16"                                    | 3 5/8"      | 2 3/4         |                 |
| 5"         | 1 1/2"         | 280                    | Performa Rubber (Conductive/Flat) | 3.00514.449 COND                   | PPBB                                       | 6 3/16"     | 3 7/8"        | 3               |
|            |                | 350                    | Performa Rubber (Flat/Grey)       | 3.00514.449                        | Delrin, PPBB                               | 6 3/16"     | 3 7/8"        | 3               |
|            |                | 400                    | Polyolefin                        | 3.00514.809                        | Delrin, PPBB                               | 6 3/16"     | 3 7/8"        | 3               |
|            |                |                        | Polyurethane HI-TECH              | 3.00514.909                        | Delrin, PPBB                               | 6 3/16"     | 3 7/8"        | 3               |
|            |                |                        | Phenolic                          | 3.00514.309                        | Delrin, PPBB                               | 6 3/16"     | 3 7/8"        | 3               |
|            |                |                        | Cast Iron                         | 3.00514.109                        | Delrin, PPBB                               | 6 3/16"     | 3 7/8"        | 4 1/2           |
| Thermo     | 3.00514.819 HT | Plain, Bronze          | 6 3/16"                           | 3 7/8"                             | 3  |             |               |                 |
| 6"         | 1 1/2"         | 300                    | Performa Rubber (Conductive/Flat) | 3.00614.449 COND                   | PPBB                                       | 7 3/16"     | 4 5/8"        | 4               |
|            |                | 375                    | Performa Rubber (Flat/Grey)       | 3.00614.449                        | Delrin, PPBB                               | 7 3/16"     | 4 5/8"        | 4               |
|            |                | 400                    | Polyolefin                        | 3.00614.809                        | Delrin, PPBB                               | 7 3/16"     | 4 5/8"        | 3 1/2           |
|            |                |                        | Polyurethane HI-TECH              | 3.00614.909                        | Delrin, PPBB                               | 7 3/16"     | 4 5/8"        | 3 1/2           |
|            |                |                        | Phenolic                          | 3.00614.309                        | Delrin, PPBB                               | 7 3/16"     | 4 5/8"        | 3 1/2           |
|            |                |                        | Cast Iron                         | 3.00614.109                        | Delrin, PPBB                               | 7 3/16"     | 4 5/8"        | 5 3/4           |

\*To order with optional round stem, add mounting code to Square Stem Caster Models number (Example: 3.00314.449 MTG7).

**Bearing Options**

Wheels feature roller bearings in above chart. To order optional bearings, see information to the right. Consult factory for ordering details.



**Roller Bearing**  
Metal cage roller bearing.



**Delrin Bearings**  
Standard two-piece bearing.



**Pedestal Precision Ball Bearing (PPBB)**



**Bronze**

**3 Series**