

4 Series

TOP PLATE Swivel & Rigid



Capacity up to **1250 lbs each**
Standard 2" tread width



Features

- All caster forks and many wheels USA-made for highest quality and quick delivery (see [USA](#))
- Attractive zinc plated finish
- Full double ball hardened raceways
- 1/2" hollow axle with grease zerk and lock nut
- Plastic seal/retainer washer (roller bearing models)
- 1/4" steel top plate for durability
- Permanent rivet kingpin with 5/8" diameter rivet
- Grease fittings: wheel bearing and swivel raceway
- "Colson 45" multi-temp grease lubricates in extreme hot and cold temperatures

Fork / Wheel Options

NSF Listed For Food Service Industry

All models except swivel lock, thread guards, forged steel and cast iron core wheels.

Forks Only

To order caster forks only use 1st 6 digits of model numbers (Example: 4.04109).



Foot Activated Swivel Lock

(See page 100) Available on all swivel casters with standard top plate (Specify **MTG81**; Example: 4.06109.839 EN MTG81).

Hand Activated Swivel Lock

(See page 100) Available on all swivel casters in Bolt-On or Welded design.

DirtBan Swivel Seal

(See page 101) Not available on swivel lock models (Specify **SEAL**; Example: 4.06109.459 SEAL).

Thread Guards

(See page 108) Available on many models (Specify **TG1** for metal or **TG2** for plastic; Example: 4.06109.459 TG2).

Load Height Option

6" dia. models with 7 1/4" load height. Only Side Lock brakes (Specify LH7.25; Example: 4.06109.459 LH7.25).

Axle/Nut Options

Consult factory.

Lube Options

Consult factory.

Caster Brake



Tread Lock

(See page 99) Available on all swivel casters except 3 1/4" diameter and V-Groove models (Specify **BRK1**; Example: 4.06109.929 BRK1).



Tech Lock®

(See page 98) Available on all swivel casters except 3 1/4" diameter, V-Groove and Swivel Lock models. 6" rigid model available (Specify **BRK2**; Example: 4.06109.939.3 BRK2).



Side Lock

(See page 97) Available on all swivel roller bearing or one piece Delrin models except 3 1/4" diameter (Specify **BRK3**; Example: 4.06109.459.2 BRK3).



Total Lock

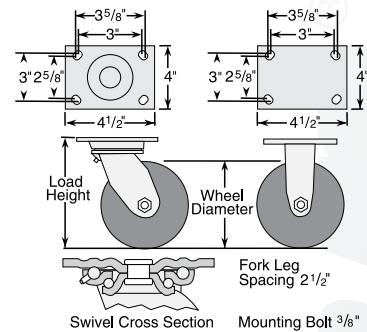
(See page 99) Available on 4", 5", 6" & 8" swivel models except 3 1/4" diameter and V-Groove wheels (Specify **BRK4**; Example: 4.06109.5F9 BRK4).



Top Lock

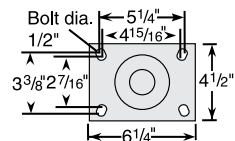
(See page 98) Available on 4", 5", 6" and 8" swivel models except V-Groove (Specify **BRK7**; Example: 4.06109.5F9 BRK7).

Standard Dimensions

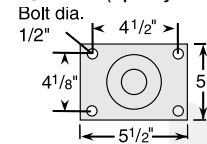


Optional Top Plates

#2 Top Plate (Specify MTG2).



#4 Top Plate (Specify MTG4).



To order optional top plate, add mounting code to Caster Models number (Example: 4.03109.339 MTG2).

CAD Models & Datasheets Online!
www.colsoncaster.com/casters/

See the Performa Advantage on Page 67.

Wheel Selection



Colson 4 Series Casters (2" tread widths) • Top Plate Swivel & Rigid • Capacity to 1250 lbs

Wheel Dia.	Tread Width	Capacity Each (Pounds)	Wheel Descriptions	Swivel Top Plate Roller Bearing Caster Models	Rigid Top Plate Roller Bearing Caster Models	Optional Bearings (Order information below chart)	Load Height	Swivel Radius	Weight lbs (Rigid Deduct 1.5 lbs)		
3 1/4"	2"	700	Phenolic	4.03109.339	4.03108.339	Delrin, PPBB	5 1/4"	3 3/16"	4 3/4		
			Maxim	4.03109.539	4.03108.539	Delrin, Bronze, PPBB	5 1/4"	3 3/16"	4 3/4		
		300	Performa Rubber (Flat/Conductive)	4.04109.459 COND	4.04108.459 COND	PPBB	5 5/8"	3 9/16"	5 3/4		
			Performa Rubber (Flat/Black)	4.04109.459.2	4.04108.459.2	Delrin, Prec. Ball, PPBB	5 5/8"	3 9/16"	5 3/4		
		400	Performa Rubber (Flat/Grey)	4.04109.459	4.04108.459	Delrin, Prec. Ball, PPBB	5 5/8"	3 9/16"	5 3/4		
			Performa Rubber (Round)	4.04109.559	4.04108.559	Delrin, Prec. Ball, PPBB	5 5/8"	3 9/16"	5 3/4		
	4"	2"	500	Moldon Rubber (Cast iron core)	4.04109.649.7	4.04108.649.7	Delrin, PPBB	5 5/8"	3 9/16"	7 1/4	
				Polyolefin	4.04109.839	4.04108.839	Delrin, Plain, PPBB	5 5/8"	3 9/16"	4 1/2	
			600	Polyurethane HI-TECH	4.04109.929	4.04108.929	Delrin, PPBB	5 5/8"	3 9/16"	4 3/4	
				Moldon Polyurethane (Aluminum core)	4.04109.939	4.04108.939	Delrin, PPBB	5 5/8"	3 9/16"	5 1/4	
			700	Moldon Polyurethane (Cast iron core)	4.04109.949.7	4.04108.949.7	Delrin, PPBB	5 5/8"	3 9/16"	7 1/4	
				CG-MAX Efficiency Wheel™ (Orange)*	4.04109.9NC	4.04108.9NC	Precision Ball Standard	5 5/8"	3 9/16"	7 1/4	
	800	2"	CG-MAX Efficiency Wheel™ (Maroon)*	Maxim	4.04109.9PC	4.04108.9PC	Precision Ball Standard	5 5/8"	3 9/16"	7 1/4	
				Maxim	4.04109.539	4.04108.539	Delrin, Bronze, PPBB	5 5/8"	3 9/16"	4 1/8	
			Phenolic	4.04109.339	4.04108.339	Delrin, PPBB	5 5/8"	3 9/16"	5 3/4		
			Thermo	4.04109.839 HT	4.04108.839 HT	Plain, Bronze	5 5/8"	3 9/16"	6 3/4		
			V-Groove	4.04109.739	4.04108.739	Delrin, PPBB	5 5/8"	3 9/16"	8 1/8		
			Endura Solid Elastomer	4.04109.839 EN	4.04108.839 EN	Delrin, Prec. Ball, PPBB	5 5/8"	3 9/16"	5 3/4		
5"	2"	1000	Cast Iron	4.04109.139	4.04108.139	Delrin, PPBB	5 5/8"	3 9/16"	7 7/8		
			325	Performa Rubber (Flat/Conductive)	4.05109.459 COND	4.05108.459 COND	PPBB	6 1/2"	4 1/4"	6 1/8	
		400	Moldon Rubber (Cast iron core)	4.05109.649.7	4.05108.649.7	Delrin, PPBB	6 1/2"	4 1/4"	8 1/8		
			425	Performa Rubber (Round)	4.05109.559	4.05108.559	Delrin, Prec. Ball, PPBB	6 1/2"	4 1/4"	6 1/8	
		500	Performa Rubber (Flat/Black)	4.05109.459.2	4.05108.459.2	Delrin, Prec. Ball, PPBB	6 1/2"	4 1/4"	6 1/8		
			Performa Rubber (Flat/Grey)	4.05109.459	4.05108.459	Delrin, Prec. Ball, PPBB	6 1/2"	4 1/4"	6 1/8		
		650	Polyolefin	4.05109.839	4.05108.839	Delrin, Plain, PPBB	6 1/2"	4 1/4"	4 7/8		
			Polyurethane HI-TECH	4.05109.929	4.05108.929	Delrin, PPBB	6 1/2"	4 1/4"	4 3/4		
		1000	2"	CG-MAX Efficiency Wheel™ (Orange)*	CG-MAX Efficiency Wheel™ (Maroon)*	4.05109.9PC	4.05108.9PC	Precision Ball Standard	6 1/2"	4 1/4"	4 3/4
					CG-MAX Efficiency Wheel™ (Maroon)*	4.05109.9PC	4.05108.9PC	Precision Ball Standard	6 1/2"	4 1/4"	4 3/4
				Maxim	4.05109.539	4.05108.539	Delrin, Bronze, PPBB	6 1/2"	4 1/4"	4 1/2	
				Endura Solid Elastomer	4.05109.839 EN	4.05108.839 EN	Delrin, Prec. Ball, PPBB	6 1/2"	4 1/4"	5 3/4	
				Moldon Polyurethane (Aluminum core)	4.05109.939	4.05108.939	Delrin, PPBB	6 1/2"	4 1/4"	6 1/8	
				Moldon Polyurethane (Cast iron core)	4.05109.949.7	4.05108.949.7	Delrin, PPBB	6 1/2"	4 1/4"	8 1/8	
		1250	2"	Moldon Nylon	Phenolic	4.05109.339	4.05108.339	Delrin, PPBB	6 1/2"	4 1/4"	9 1/4
					Thermo	4.05109.839 HT	4.05108.839 HT	Plain, Bronze	6 1/2"	4 1/4"	6 3/4
				Cast Iron	4.05109.139	4.05108.139	Delrin, PPBB	6 1/2"	4 1/4"	8 7/8	
				Forged Steel	4.05109.239	4.05108.239	Delrin, PPBB	6 1/2"	4 1/4"	9 1/4	
6"	2"			410	Performa Rubber (Flat/Conductive)	4.06109.459 COND	4.06108.459 COND	PPBB	7 1/2"	5"	6 1/8
					Performa Rubber (Round/Conductive)	4.06109.559 COND	4.06108.559 COND	PPBB	7 1/2"	5"	6 1/8
		450	Performa Rubber (Round)	4.06109.559	4.06108.559	Delrin, Prec. Ball, PPBB	7 1/2"	5"	6 1/8		
			Moldon Rubber (Cast iron core)	4.06109.649.7	4.06108.649.7	Delrin, PPBB	7 1/2"	5"	10 1/2		
		600	Performa Rubber (Flat/Black)	4.06109.459.2	4.06108.459.2	Delrin, Prec. Ball, PPBB	7 1/2"	5"	6 1/8		
			Performa Rubber (Flat/Grey)	4.06109.459	4.06108.459	Delrin, Prec. Ball, PPBB	7 1/2"	5"	6 1/8		
		700	Polyolefin	4.06109.839	4.06108.839	Delrin, Plain, PPBB	7 1/2"	5"	5 1/2		
			Polyurethane HI-TECH	4.06109.929	4.06108.929	Delrin, PPBB	7 1/2"	5"	5		
		1100	2"	Endura Solid Elastomer	Maxim	4.06109.539	4.06108.539	Delrin, Bronze, PPBB	7 1/2"	5"	4 3/4
					Moldon Polyurethane (Aluminum core)	4.06109.939	4.06108.939	Delrin, PPBB	7 1/2"	5"	7 1/2
				Moldon Polyurethane (Cast iron core)	4.06109.949.7	4.06108.949.7	Delrin, PPBB	7 1/2"	5"	10 1/2	
				Moldon Nylon	4.06109.939.3	4.06108.939.3	Delrin, PPBB	7 1/2"	5"	9 1/4	
				Phenolic	4.06109.339	4.06108.339	Delrin, PPBB	7 1/2"	5"	7	
				V-Groove	4.06109.739	4.06108.739	Delrin, PPBB	7 1/2"	5"	10 1/2	
		1250	2"	Cast Iron	CG-MAX Efficiency Wheel™ (Orange)*	4.06109.9NC	4.06108.9NC	Precision Ball Standard	7 1/2"	5"	7 1/2
					CG-MAX Efficiency Wheel™ (Maroon)*	4.06109.9PC	4.06108.9PC	Precision Ball Standard	7 1/2"	5"	7 1/2
				Forged Steel	4.06109.239	4.06108.239	Delrin, PPBB	7 1/2"	5"	10 1/4	
				8"	2"	500	Performa Rubber (Flat/Conductive)	4.08199.459 COND	4.08198.459 COND	PPBB	9 1/2"
Performa Rubber (Round/Conductive)	4.08199.559 COND	4.08198.559 COND	PPBB				9 1/2"	6 1/2"	6 1/4		
600	Moldon Rubber (Cast iron core)	4.08199.649.7	4.08198.649.7			Delrin, PPBB	9 1/2"	6 1/2"	13 1/4		
	Performa Rubber (Round)	4.08199.559	4.08198.559			Delrin, Prec. Ball, PPBB	9 1/2"	6 1/2"	6 1/4		
675	Performa Rubber (Flat/Black)	4.08199.459.2	4.08198.459.2			Delrin, Prec. Ball, PPBB	9 1/2"	6 1/2"	6 1/4		
	Performa Rubber (Flat/Grey)	4.08199.459	4.08198.459			Delrin, Prec. Ball, PPBB	9 1/2"	6 1/2"	6 1/4		
900	Polyolefin	4.08199.839	4.08198.839			Delrin, Plain, PPBB	9 1/2"	6 1/2"	5 3/4		
	Polyurethane HI-TECH	4.08199.929	4.08198.929			Delrin, PPBB	9 1/2"	6 1/2"	5 3/4		
1200	2"	Endura Solid Elastomer	Delrin, Prec. Ball, PPBB			4.08199.839 EN	4.08198.839 EN	Delrin, Prec. Ball, PPBB	9 1/2"	6 1/2"	5 3/4
			CG-MAX Efficiency Wheel™ (Orange)*			4.08199.9NC	4.08198.9NC	Precision Ball Standard	9 1/2"	6 1/2"	8 1/4
		CG-MAX Efficiency Wheel™ (Maroon)*	4.08199.9PC			4.08198.9PC	Precision Ball Standard	9 1/2"	6 1/2"	8 1/4	
		Maxim	4.08199.539			4.08198.539	Delrin, Bronze, PPBB	9 1/2"	6 1/2"	5 1/2	
		Moldon Polyurethane (Aluminum core)	4.08199.939			4.08198.939	Delrin, PPBB	9 1/2"	6 1/2"	8 1/4	
		Moldon Polyurethane (Cast iron core)	4.08199.949.7			4.08198.949.7	Delrin, PPBB	9 1/2"	6 1/2"	13 1/4	
1250	2"	Moldon Nylon	Phenolic			4.08199.339	4.08198.339	Delrin, PPBB	9 1/2"	6 1/2"	9 1/4
			Cast Iron			4.08199.139	4.08198.139	Delrin, PPBB	9 1/2"	6 1/2"	12 1/2

*CG-MAX wheels available with Precision Ball Bearing only. All 4 Series swivel forks are notched to accommodate four position swivel locks.

Bearing Options

Wheels feature roller bearings in above chart. To order optional bearings, see information to the right.



Roller Bearing
Metal cage roller bearing

(Specify **WB29**).
(Example: 4.06109.459 WB29).



Torrington Roller Bearing

Torrington style roller bearing with retainer (Specify **WB19**;
Example: 4.06109.459 WB19).



Delrin Bearing

For standard two-piece bearing change 9th digit to "1" (Example: 4.06109.921).
One-piece with steel thrust washers (Specify **WB11**;
Example: 4.06109.451 WB11).



Precision Ball Bearing

To order change 8th and 9th digits to "P5" (Example 4.06109.4P5).



Pedestal Precision Ball Bearing (PPBB)

To order change 9th digit to "5" (Example: 4.06109.4E5).



Bronze Bearing

To order, change the 9th digit in model number to "4" (Example: 4.06109.534).

4 Series