

6

EVOLUTION® PRECISION RACEWAY

Maintenance Free Swivel & Rigid

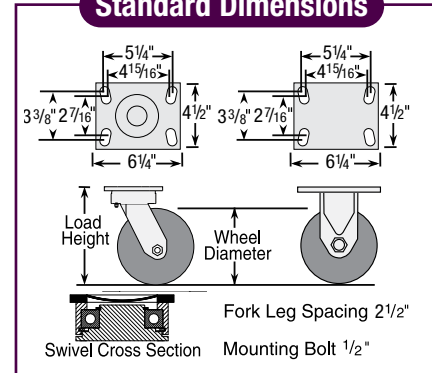


Series

Capacity up to **2000 lbs each**



Standard Dimensions



About Evolution

Evolution casters from Colson are the industry's toughest maintenance free caster for harsh towing applications. Automotive, tire manufacturers, and anyone who needs a caster that can hold up in

dynamic towing applications will be especially interested in this product. The precision radial bearing is large at 3 1/2" in diameter and is sealed on both sides for an exceptionally smooth swivel.

This fork makes up part of an ergonomically friendly caster that confidently handles shock loads, easily starts and stops, effortlessly moves over thresholds, and reliably negotiates uneven surfaces.

Features

- Yellow zinc dichromate finish
- Designed for dynamic towing applications
- Maintenance free, precision swivel raceway
- 5/16" steel legs, formed to increase strength and welded on the inside and outside of yoke base
- Fork legs 5/16" thick 2-1/2" wide
- 1/2" hollow axle with grease zerk fitting on roller bearing models

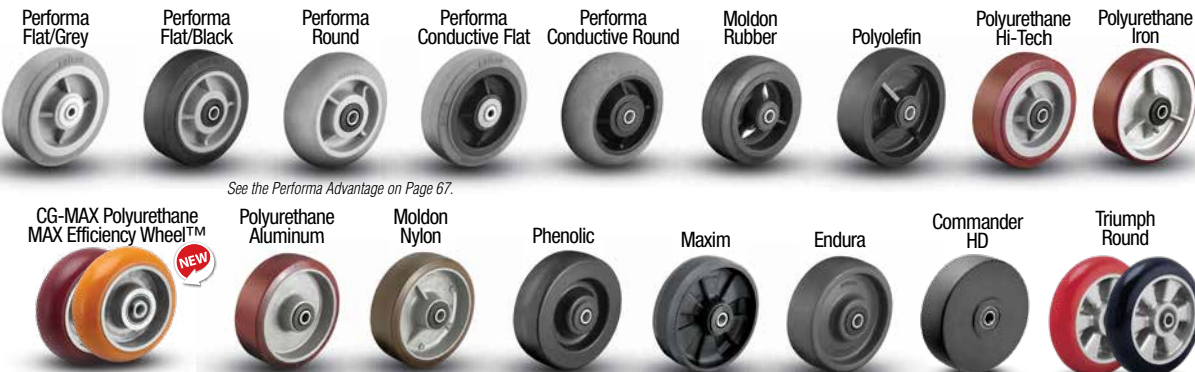
Ergonomic Advantages

- **Increase efficiency and safety**
- **Easy push/pull and cart alignment**
- **Reduce noise and workers' comp**

Typical Applications

- Excellent for automotive, tire manufacturing and aviation industries

Wheel Selection



See the Performa Advantage on Page 67.

3D CAD Models & Data Sheets
www.colsoncaster.com/casters

Colson 6 Series Casters • Evolution Kingpinless Top Plate Swivel & Rigid • Capacity to 2000 lbs

Wheel Dia.	Tread Width	Capacity Each (Pounds)	Wheel Descriptions	Swivel Top Plate Caster Models	Rigid Top Plate Caster Models	Bearing Type	Load Height	Swivel Radius	Weight (Pounds)
8"	2"	500	Performa Rubber (Conductive/Flat)	6.08579.455 COND	6.08578.455 COND	Pedestal Precision Ball	10 ¹ / ₄ "	6 ⁹ / ₁₆ "	11 ³ / ₄
			Performa Rubber (Conductive/Round)	6.08579.555 COND	6.08578.455 COND	Pedestal Precision Ball	10 ¹ / ₄ "	6 ⁹ / ₁₆ "	11 ³ / ₄
			Moldon Rubber (Cast iron core)	6.08579.645.7	6.08578.645.7	Pedestal Precision Ball	10 ¹ / ₄ "	6 ⁹ / ₁₆ "	17 ¹ / ₂
		600	Performa Rubber (Round/Grey)	6.08579.555	6.08578.555	Pedestal Precision Ball	10 ¹ / ₄ "	6 ⁹ / ₁₆ "	11 ³ / ₄
			Performa Rubber (Flat/Black)	6.08579.455.2	6.08578.455.2	Pedestal Precision Ball	10 ¹ / ₄ "	6 ⁹ / ₁₆ "	11 ³ / ₄
		675	Performa Rubber (Flat/Grey)	6.08579.455	6.08578.455	Pedestal Precision Ball	10 ¹ / ₄ "	6 ⁹ / ₁₆ "	11 ³ / ₄
			Polyolefin	6.08579.835	6.08578.835	Pedestal Precision Ball	10 ¹ / ₄ "	6 ⁹ / ₁₆ "	11 ³ / ₄
		900	Polyurethane HI-TECH	6.08579.925	6.08578.925	Pedestal Precision Ball	10 ¹ / ₄ "	6 ⁹ / ₁₆ "	11 ³ / ₄
			Endura Solid Elastomer	6.08579.835 EN	6.08578.835 EN	Pedestal Precision Ball	10 ¹ / ₄ "	6 ⁹ / ₁₆ "	12 ¹ / ₄
		1200	Triumph (Round/Blue)*	6.08579.96TF	6.08578.96TF	Pedestal Precision Ball	10 ¹ / ₄ "	6 ⁹ / ₁₆ "	14
			Triumph (Round/Red)*	6.08579.96TS	6.08578.96TS	Pedestal Precision Ball	10 ¹ / ₄ "	6 ⁹ / ₁₆ "	14
			Maxim	6.08579.535	6.08578.535	Pedestal Precision Ball	10 ¹ / ₄ "	6 ⁹ / ₁₆ "	11 ³ / ₄
		1400	Moldon Polyurethane (Aluminum core)	6.08579.935	6.08578.935	Pedestal Precision Ball	10 ¹ / ₄ "	6 ⁹ / ₁₆ "	12
			Moldon Polyurethane (Cast iron core)	6.08579.945.7	6.08578.945.7	Pedestal Precision Ball	10 ¹ / ₄ "	6 ⁹ / ₁₆ "	17 ¹ / ₂
			Moldon Nylon	6.08579.935.3	6.08578.935.3	Pedestal Precision Ball	10 ¹ / ₄ "	6 ⁹ / ₁₆ "	12 ² / ₃
			Phenolic	6.08579.335	6.08578.335	Pedestal Precision Ball	10 ¹ / ₄ "	6 ⁹ / ₁₆ "	13
		1500	CG-MAX Efficiency Wheel™ (Orange)*	6.08579.9NC	6.08578.9NC	Pedestal Precision Ball	10 ¹ / ₄ "	6 ⁹ / ₁₆ "	117 ⁸ / ₈
			CG-MAX Efficiency Wheel™ (Maroon)*	6.08579.9PC	6.08578.9PC	Pedestal Precision Ball	10 ¹ / ₄ "	6 ⁹ / ₁₆ "	117 ⁸ / ₈
		2000	Commander HD*	6.08579.5PN	6.08578.5PN	Pedestal Precision Ball	10 ¹ / ₄ "	6 ⁹ / ₁₆ "	16 ¹ / ₂

*CG-MAX, Triumph and Commander HD wheels available with Precision Ball Bearing only. Precision Ball Bearings recommended for tow-line applications. Consult factory for special towing and brake requirements.

Bearing Options

Wheels feature roller bearings in above chart. To order optional bearings, see information at right. Bearings in chart above are Pedestal Precision Ball Bearings with the exception of Triumph wheels. Triumph wheels are Precision Ball bearings.



Precision Ball Bearing

Standard on Triumph, Conquest, and Commander HD wheels.



Pedestal Precision Ball Bearing (PPBB)

Standard on all except Triumph, Conquest, and Commander HD wheels.



Drive lasting results with

CG-MAX EFFICIENCY WHEEL™



- Our most advanced polyurethane wheel
- ANSI:ICWM tested to outlast and outperform the competition
- Best-in-class ergonomics increase user safety and reduce fatigue
- Patent pending self-retaining top hats reduce environmental and assembly waste



Visit colsoncaster.com/CG-MAX for additional information and CAD models.