

# 3 Series

TOP PLATE Swivel & Rigid  
Capacity up to 400 lbs each

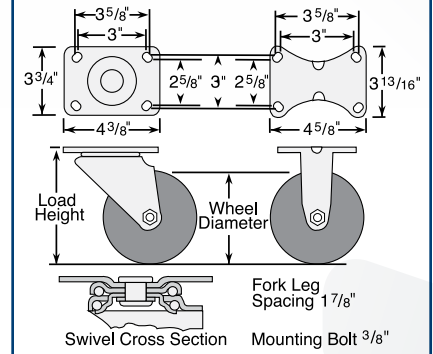


## Features

- Zinc plated finish is attractive and durable
- Full double ball hardened raceways for better performance and greater durability
- 3/8" hollow axle with lock nut
- Permanent rivet kingpin construction
- Reinforcing washer on upper & lower raceway for swivel models
- Grease holes: wheel bearing
- "Colson 45" multi-temp grease lubricates in extreme hot and cold temperatures
- .164" steel top plate



## Standard Dimensions



## Caster Brake



**Top Lock**  
(See page 97) Available on all swivel models. Field installable (Specify **BRK1**; Example: 3.00517.449 BRK1).

## Fork / Wheel Options

### NSF Listed For Food Service Industry

All models except thread guards and cast iron wheels (Specify **FSI**; Example: 3.00517.449 FSI).

### Swivel Dust Cap

(See page 101) (Specify **DC1**; Example: 3.00517.449 DC1).

### Forks Only

To order caster forks only use 1st 6 digits of model numbers (Example: 3.00317).

### Thread Guards

(See page 108) Available on many models (Specify **TG1** for metal; Example: 3.00517.909 TG1).

### Axle/Nut Options

Consult factory.

### Lube Options

Consult factory.

## Wheel Selection

Perma Flat Tread



Perma Conductive



Polyolefin



Polyurethane HI-TECH



See the Perma Advantage on Page 67.

Phenolic



Cast Iron



Maxim



Thermo



**Colson 3 Series Casters • Top Plate Swivel & Rigid • Capacity to 400 lbs**

Wheel Dia.	Tread Width	Capacity Each (Pounds)	Wheel Descriptions	Swivel Top Plate Roller Bearing Caster Models	Rigid Top Plate Roller Bearing Caster Models	Optional Bearings (Consult Factory)	Load Height	Swivel Radius	Weight (Pounds)
3"	1 1/2"	250	Performa Rubber (Flat/Grey)	3.00317.449	3.00308.449	Delrin, PPBB	4 1/2"	3 1/8"	3
		300	Polyolefin	3.00317.809	3.00308.809	Delrin, Plain, PPBB	4 1/2"	3 1/8"	2 3/4
			Polyurethane HI-TECH	3.00317.909	3.00308.909	Delrin, PPBB	4 1/2"	3 1/8"	3
		400	Phenolic	3.00317.309	3.00308.309	Delrin, PPBB	4 1/2"	3 1/8"	2 3/4
			Cast Iron	3.00317.109	3.00308.109	Delrin, PPBB	4 1/2"	3 1/8"	4 1/4
			Thermo	3.00317.819 HT	3.00308.819 HT	Plain, Bronze	4 1/2"	3 1/8"	2 3/4
4"	1 1/2"	255	Performa Rubber (Conductive/Flat)	3.00417.449 COND	3.00408.449 COND	PPBB	5 3/8"	3 5/8"	3 1/2
		325	Performa Rubber (Flat/Grey)	3.00417.449	3.00408.449	Delrin, PPBB	5 3/8"	3 5/8"	3 1/2
		400	Polyolefin	3.00417.809	3.00408.809	Delrin, Plain, PPBB	5 3/8"	3 5/8"	3
			Maxim	3.00417.509	3.00408.509	Delrin, Bronze, PPBB	5 3/8"	3 5/8"	3 1/4
			Polyurethane HI-TECH	3.00417.909	3.00408.909	Delrin, PPBB	5 3/8"	3 5/8"	3 1/4
			Phenolic	3.00417.309	3.00408.309	Delrin, PPBB	5 3/8"	3 5/8"	3 1/4
			Cast Iron	3.00417.109	3.00408.109	Delrin, PPBB	5 3/8"	3 5/8"	4 1/2
			Thermo	3.00417.819 HT	3.00408.819 HT	Plain, Bronze	5 3/8"	3 5/8"	3
5"	1 1/2"	280	Performa Rubber (Conductive/Flat)	3.00517.449 COND	3.00508.449 COND	PPBB	6 3/8"	4 1/8"	3 1/2
		350	Performa Rubber (Flat/Grey)	3.00517.449	3.00508.449	Delrin, PPBB	6 3/8"	4 1/8"	3 1/2
		400	Polyolefin	3.00517.809	3.00508.809	Delrin, Plain, PPBB	6 3/8"	4 1/8"	3 1/4
			Polyurethane HI-TECH	3.00517.909	3.00508.909	Delrin, PPBB	6 3/8"	4 1/8"	3 1/2
			Phenolic	3.00517.309	3.00508.309	Delrin, PPBB	6 3/8"	4 1/8"	3 1/4
			Cast Iron	3.00517.109	3.00508.109	Delrin, PPBB	6 3/8"	4 1/8"	5
			Thermo	3.00517.819 HT	3.00508.819 HT	Plain, Bronze	6 3/8"	4 1/8"	3 1/4
6"	1 1/2"	300	Performa Rubber (Conductive/Flat)	3.00617.449 COND	3.00608.449 COND	PPBB	7 3/8"	4 5/8"	3 3/4
		375	Performa Rubber (Flat/Grey)	3.00617.449	3.00608.449	Delrin, PPBB	7 3/8"	4 5/8"	3 3/4
		400	Polyolefin	3.00617.809	3.00608.809	Delrin, Plain, PPBB	7 3/8"	4 5/8"	3
			Polyurethane HI-TECH	3.00617.909	3.00608.909	Delrin, PPBB	7 3/8"	4 5/8"	3 3/4
			Phenolic	3.00617.309	3.00608.309	Delrin, PPBB	7 3/8"	4 5/8"	3 3/4
			Cast Iron	3.00617.109	3.00608.109	Delrin, PPBB	7 3/8"	4 5/8"	6

**Bearing Options**

Wheels feature roller bearings in above chart. Consult factory for ordering details.



**Roller Bearing**  
Metal cage roller bearing.



**Delrin Bearings**  
Standard two-piece bearing.



**Pedestal Precision Ball Bearing (PPBB)**



**Bronze**

**3 Series**

# 3 Series

SQUARE OR ROUND STEMS

Capacity up to **400 lbs each**



## Features

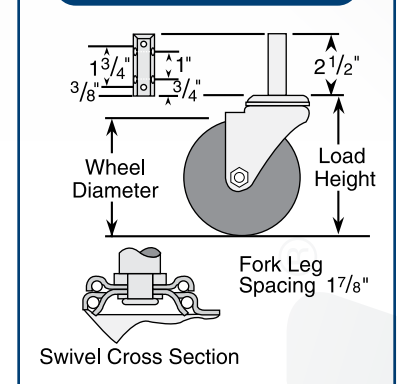
- Zinc plated finish is attractive and durable
- Full double ball hardened raceways for better performance and greater durability
- 3/8" hollow axle with lock nut
- Permanent rivet kingpin construction
- Reinforcing washer on upper & lower raceway
- Grease holes: wheel bearing
- "Colson 45" multi-temp grease lubricates in extreme hot and cold temperatures

## Standard Mounting

- **Square Stem:** Four 17/64" diameter holes are drilled in square stem, two per side. 2 1/2" long x 7/8" square



## Standard Dimensions



## Caster Brake



**Top Lock**  
(See page 97) Available on all swivel models. Field installable (Specify **BRK1**; Example: 3.00514.109 MTG7 BRK1).

## Fork / Wheel Options

### NSF Listed For Food Service Industry

All models except thread guards and cast iron wheels (Specify **FSI**; Example: 3.00514.449 FSI).

(See page 101) (Specify **DC1**; Example: 3.00514.449 DC1).

### Forks Only

To order caster forks only use 1st 6 digits of model numbers (Example: 3.00314).

### Thread Guards

(See page 108) Available on many models (Specify **TG1** for metal; Example: 3.00514.909 TG1).

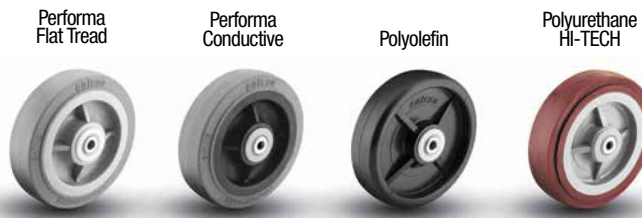
### Axle/Nut Options

Consult factory.

### Lube Options

Consult factory.

## Wheel Selection



See the Performa Advantage on Page 67.



## Mounting Options

### Square Stem

#### Standard Mounting (no code necessary):

Four 17/64" diameter holes are drilled in square stem, two per side. 2 1/2" long x 7/8" square.

### Round Stem

- MTG7:** 2 1/2" long x 3/4" diameter
- MTG9:** 2 1/2" long x 7/8" diameter
- MTG11:** 2 1/2" long x 1" diameter

To order with optional round stem, add mounting code to Square Stem Caster Models number (Example: 3.00314.449 MTG7).

**Colson 3 Series Casters • Round or Square Stem • Capacity to 400 lbs**

Wheel Dia.	Tread Width	Capacity Each (Pounds)	Wheel Descriptions	Square Stem Roller Bearing Models*	Optional Bearings (Order info below chart)	Load Height	Swivel Radius	Weight (Pounds)
3"	1 1/2"	250	Performa Rubber (Flat/Grey)	3.00314.449	Delrin, PPBB	4 5/16"	3 1/8"	2 1/2
		300	Polyolefin	3.00314.809	Delrin, PPBB	4 5/16"	3 1/8"	2 1/2
			Polyurethane HI-TECH	3.00314.909	Delrin, PPBB	4 5/16"	3 1/8"	2 1/2
			Phenolic	3.00314.309	Delrin, PPBB	4 5/16"	3 1/8"	2 1/2
		400	Cast Iron	3.00314.109	Delrin, PPBB	4 5/16"	3 1/8"	3 3/4
			Thermo	3.00314.819 HT	Plain, Bronze	4 5/16"	3 1/8"	2 1/2
4"	1 1/2"	255	Performa Rubber (Conductive/Flat)	3.00414.449 COND	PPBB	5 3/16"	3 5/8"	2 2/3
		325	Performa Rubber (Flat/Grey)	3.00414.449	Delrin, PPBB	5 3/16"	3 5/8"	2 2/3
		375	Polyolefin	3.00414.809	Delrin, PPBB	5 3/16"	3 5/8"	2 3/4
		400	Maxim	3.00414.509	Delrin, Bronze, PPBB	5 3/16"	3 5/8"	2 3/4
			Polyurethane HI-TECH	3.00414.909	Delrin, PPBB	5 3/16"	3 5/8"	2 3/4
			Phenolic	3.00414.309	Delrin, PPBB	5 3/16"	3 5/8"	2 3/4
			Cast Iron	3.00414.109	Delrin, PPBB	5 3/16"	3 5/8"	4
		Thermo	3.00414.819 HT	Plain, Bronze	5 3/16"	3 5/8"	2 3/4	
5"	1 1/2"	280	Performa Rubber (Conductive/Flat)	3.00514.449 COND	PPBB	6 3/16"	3 7/8"	3
		350	Performa Rubber (Flat/Grey)	3.00514.449	Delrin, PPBB	6 3/16"	3 7/8"	3
		400	Polyolefin	3.00514.809	Delrin, PPBB	6 3/16"	3 7/8"	3
			Polyurethane HI-TECH	3.00514.909	Delrin, PPBB	6 3/16"	3 7/8"	3
			Phenolic	3.00514.309	Delrin, PPBB	6 3/16"	3 7/8"	3
			Cast Iron	3.00514.109	Delrin, PPBB	6 3/16"	3 7/8"	4 1/2
Thermo	3.00514.819 HT	Plain, Bronze	6 3/16"	3 7/8"	3			
6"	1 1/2"	300	Performa Rubber (Conductive/Flat)	3.00614.449 COND	PPBB	7 3/16"	4 5/8"	4
		375	Performa Rubber (Flat/Grey)	3.00614.449	Delrin, PPBB	7 3/16"	4 5/8"	4
		400	Polyolefin	3.00614.809	Delrin, PPBB	7 3/16"	4 5/8"	3 1/2
			Polyurethane HI-TECH	3.00614.909	Delrin, PPBB	7 3/16"	4 5/8"	3 1/2
			Phenolic	3.00614.309	Delrin, PPBB	7 3/16"	4 5/8"	3 1/2
			Cast Iron	3.00614.109	Delrin, PPBB	7 3/16"	4 5/8"	5 3/4

\*To order with optional round stem, add mounting code to Square Stem Caster Models number (Example: 3.00314.449 MTG7).

**Bearing Options**

Wheels feature roller bearings in above chart. To order optional bearings, see information to the right. Consult factory for ordering details.



**Roller Bearing**  
Metal cage roller bearing.



**Delrin Bearings**  
Standard two-piece bearing.



**Pedestal Precision Ball Bearing (PPBB)**



**Bronze**