

8 Series

Capacity up to **6000 lbs each**

ENFORCER

Kingpinless Swivel & Rigid



Features

- Attractive zinc plated finish
- Single ball hardened swivel raceway construction
- 3/4" solid axle with nut
- 3/8" steel top plate
- Formed fork legs feature robotic welding inside and out for consistent quality
- Fork Leg 3/8" thick x 3" wide
- Recessed zerk grease fitting on swivel raceway to prevent damage, grease fitting on wheel bearing for easy maintenance
- Multi-temp grease lubricates in extreme hot and cold temperatures

Caster Brake



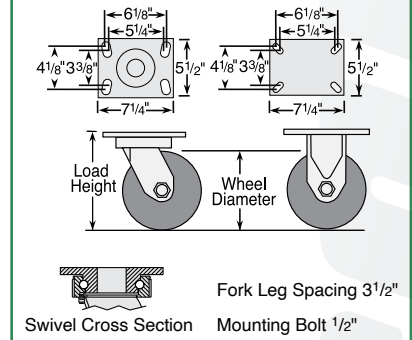
Tread Lock
(See page 99) Available on all swivel casters except V-Groove models (Specify **BRK1**;
Example: 8.08689.369 BRK1).

Wheel Selection



See the Performa Advantage on Page 67.

Standard Dimensions



Fork / Wheel Options

NSF Listed For Food Service Industry
Some models NSF approved, consult factory.

Forks Only
To order caster forks only use 1st 6 digits of model numbers (Example: 8.06689).



Hand Activated Swivel Lock
(See page 100)
Available on all swivel casters. Specify **MTG61** with standard top plate, **MTG62** with #2 top plate or **MTG63** with #3 top plate; Example: 8.08689.979.7 MTG63.

Thick Lock Nut Option
Consult factory.

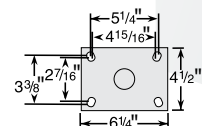
Load Height Option

Wheel Dia.	Load Ht.	Swi. Rad.	Specify
6"	8"	4 7/8"	LH8.0
8"	10 1/2"	6 5/8"	LH10.5
10"	12 1/2"	8 1/8"	LH12.5
12"	15 1/2"	10 1/8"	LH15.5

Example: 8.08689.679.7 LH8.0

Optional Top Plates

2 Top Plate
(Specify **MTG2**).



To order optional top plate, add mounting code to Caster Models number (Example: 8.06689.369 MTG2).

Colson 8 Series Casters • Enforcer Kingpinless Top Plate Swivel & Rigid • Capacity to 6000 lbs

Wheel Dia.	Tread Width	Capacity Each (Pounds)	Wheel Descriptions	Swivel Top Plate Roller Bearing Caster Models	Rigid Top Plate Roller Bearing Caster Models	Optional Bearings (Order information below chart)	Load Height	Swivel Radius	Weight lbs (Rigid Deduct 5 lbs)	
6"	2 1/2"	540	Moldon Rubber (Cast Iron Core)	8.06689.669.7	8.06688.669.7	Delrin	7 1/2"	4 3/8"	16	
		1600	Phenolic	8.06689.369	8.06688.369	Delrin	7 1/2"	4 3/8"	13 1/2	
		2500	Cast Iron	8.06689.169	8.06688.169	Delrin	7 1/2"	4 3/8"	20	
			V-Groove	8.06689.769	8.06688.769	Delrin	7 1/2"	4 3/8"	20	
	3"	4000	Forged Steel	8.06689.269	8.06688.269	Delrin	7 1/2"	4 3/8"	24	
		680	Moldon Rubber (Cast Iron Core)	8.06689.679.7	8.06688.679.7	Delrin	7 1/2"	4 3/8"	17	
		2000	Phenolic	8.06689.379	8.06688.379	Delrin	7 1/2"	4 3/8"	14 1/4	
		2040	Moldon Polyurethane (Cast Iron Core)	8.06689.979.7	8.06688.979.7	Delrin	7 1/2"	4 3/8"	19 1/4	
		5400	Commander HD*	8.06689.5PN	8.06688.5PN	Precision Ball Standard	7 1/2"	4 3/8"	15 3/4	
6000	V-Groove	8.06689.789	8.06688.789	Delrin	7 1/2"	4 3/8"	21 1/4			
8"	2 1/2"	670	Moldon Rubber (Cast Iron Core)	8.08689.669.7	8.08688.669.7	Delrin	10 1/8"	6 3/16"	19	
		2000	Phenolic	8.08689.369	8.08688.369	Delrin	10 1/8"	6 3/16"	15 1/2	
	3"	840	Moldon Rubber (Cast Iron Core)	8.08689.679.7	8.08688.679.7	Delrin	10 1/8"	6 3/16"	24 3/4	
		2500		Phenolic	8.08689.379	8.08688.379	Delrin	10 1/8"	6 3/16"	16 1/2
				Moldon Polyurethane (Cast Iron Core)	8.08689.979.7	8.08688.979.7	Delrin	10 1/8"	6 3/16"	27 3/4
				Cast Iron	8.08689.179	8.08688.179	Delrin	10 1/8"	6 3/16"	27 3/4
				V-Groove	8.08689.779	8.08688.779	Delrin	10 1/8"	6 3/16"	31 1/4
		4500	Forged Steel	8.08689.279	8.08688.279	Delrin	10 1/8"	6 3/16"	31 1/4	
		5400	Commander HD*	8.08689.5PN	8.08688.5PN	Precision Ball Standard	10 1/8"	6 3/16"	19 1/2	
10"	2 1/2"	790	Moldon Rubber (Cast Iron Core)	8.10689.669.7	8.10688.669.7	Delrin	11 1/2"	7 3/8"	24 1/2	
		1000	Performa Rubber (Flat/Black)	8.10689.459.2	8.10688.459.2	Delrin	11 1/2"	7 3/8"	18 1/4	
		1200	Polyurethane HI-TECH	8.10689.959	8.10688.959	Delrin	11 1/2"	7 3/8"	18 1/4	
		2500	Phenolic	8.10689.369	8.10688.369	Delrin	11 1/2"	7 3/8"	19 1/2	
	3"	1000	Moldon Rubber (Cast Iron Core)	8.10689.679.7	8.10688.679.7	Delrin	11 1/2"	7 3/8"	25 1/4	
		2900	Phenolic	8.10689.379	8.10688.379	Delrin	11 1/2"	7 3/8"	19 1/2	
		3000		Moldon Polyurethane (Cast Iron Core)	8.10689.979.7	8.10688.979.7	Delrin	11 1/2"	7 3/8"	31 1/2
				Cast Iron	8.10689.179	8.10688.179	Delrin	11 1/2"	7 3/8"	31 1/2
		4500	Forged Steel	8.10689.279	8.10688.279	Delrin	11 1/2"	7 3/8"	37 1/2	
5400	Commander HD*	8.10689.5PN	8.10688.5PN	Precision Ball Standard	11 1/2"	7 3/8"	20			
12"	3"	1140	Moldon Rubber (Cast Iron Core)	8.12689.679.7	8.12688.679.7	Delrin	13 1/2"	8 7/8"	28 3/4	
		1700	Performa Rubber (Flat/Black)	8.12689.459.2	8.12688.459.2	Delrin	13 1/2"	8 7/8"	22 1/4	
			Polyurethane HI-TECH	8.12689.989	8.12688.989	Delrin	13 1/2"	8 7/8"	22 1/4	
		3000	Cast Iron	8.12689.179	8.12688.179	Delrin	13 1/2"	8 7/8"	35 3/4	
		3500	Phenolic	8.12689.379	8.12688.379	Delrin	13 1/2"	8 7/8"	24 3/4	
		Moldon Polyurethane (Cast Iron Core)	8.12689.979.7	8.12688.979.7	Delrin	13 1/2"	8 7/8"	40		

*Commander HD wheels available with Precision Ball Bearing only.

Bearing Options

Wheels feature roller bearings in the above chart. To order optional bearings, see information to the right.



Delrin Bearing
For standard two-piece bearing change 9th digit to "1" (Example: 8.06689.361).



Precision Ball Bearing
Standard on Commander HD models.

8 Series