

"NG" Next Generation

NYLON CASTERS – THE INSIDE STORY



3" thru 6" wheel diameters available.

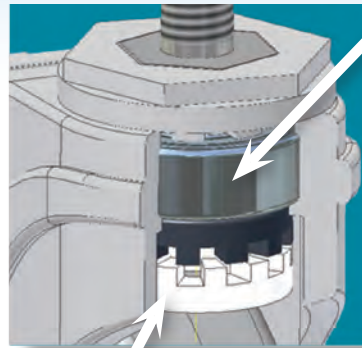
PERFORMANCE FEATURES

- QUIET
- CLEAN
- SMOOTH
- MAINTENANCE FREE
- HIGHER CAPACITY

Glass filled nylon for added strength and durability. Custom colors available.

Wheels feature sealed precision ball bearings to provide a smooth, quiet and maintenance free ride.

Fully Integrated thread guards prevent the pick-up of string, sutures and foreign debris.



Direction and Total Lock braking action designed into caster.

NG series has precision sealed ball bearing raceway design for long lasting, smooth, quiet, maintenance free ride. Precision ball bearings are insert molded into the swivel raceway. Caster capacity is similar to steel wheels at a massive 325 lbs with 5" wheel.

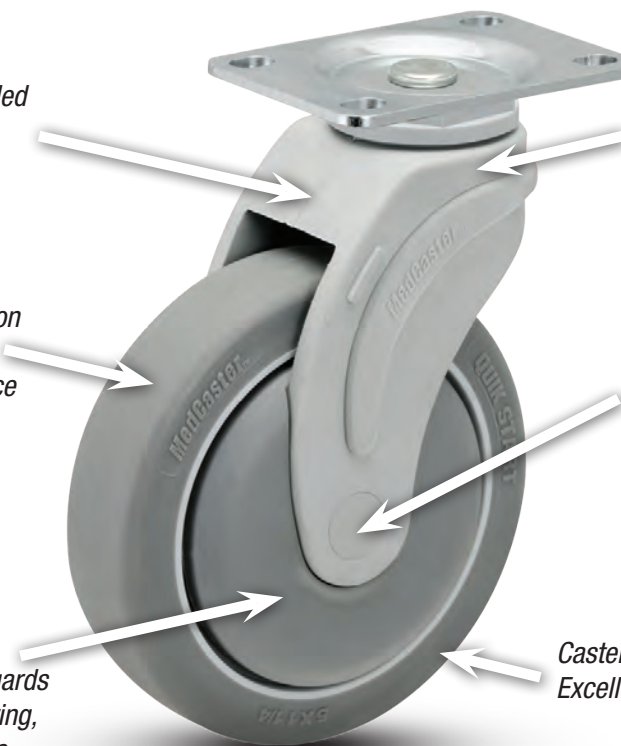


Custom Colors Available

Sealed precision ball bearing is insert molded into the swivel raceway.

Recessed nut and bolt axles or rivet with covers.

Caster is resistant to most chemicals. Excellent for wash down applications.



NG NEXT GENERATION



Page 64-75

NG BRAKES & DIRECTION LOCKS



Page 64-75

NS STAINLESS



Page 76-83

NA ANTISTATIC



Page 100

NG ANTI-MICROBIAL



Page 64-75

NM NON-MAGNETIC



Page 84-85