



MEGA MITE

Powerful Performance in a Compact Profile.

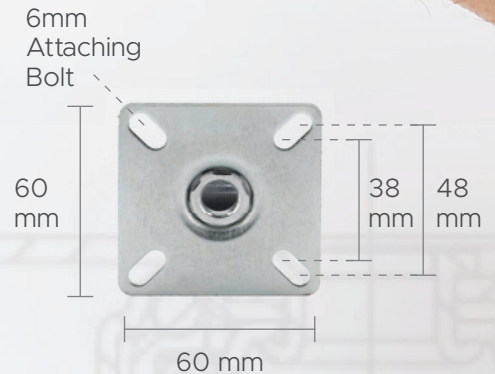
When you need **quality** and **reliability in tight spaces**

The industrial grade kingpin, poured urethane wheel, and precision bearing empower this tiny titan to roll smoothly and easily, even under the heaviest loads.



Applications:

- Data Centers
- Food Service
- Store Fixtures
- Business Machines



Incredibly Low
Mounting Height

250 lb. Max Load
Capacity per Caster

Industrial Grade
Build Construction

Part Number	Wheel Size	Description	Capacity	Top Plate	Load Height
M2.3302.938	35 mm	Swivel	250 lbs.	60 x 60 mm	52 mm